

**AC/DC HIPOT TESTER
SME1190/SME1190A**

User Manual

scientific

Copyright © Scientific All rights reserved.

This instrument contains proprietary information, no part of this manual may be photocopied , reproduced or translated without any prior written consent.

Information in this manual supercede all corresponding previous released material.

Scientific continues to improve products and reserves rights to amend part or all of the specifications , procedures, equipment at any time without notice.

Rev 1.0 / 1218

Content

Chapter 1 Overview	5
1.1 Introduction	5
1.2 Conditions of Use	6
1.2.1 Power ✓	6
1.2.2 Ambient Temperature and Humidity	6
1.2.3 Preheating	6
1.2.4 Precautions	6
1.3 Volume and Weight	7
1.4 Safety Requirements	7
1.4.1 Insulation Resistance	7
1.4.2 Insulation Strength	7
1.4.3 Leakage Current	7
Chapter 2 Precautions on Handling	8
2.1 Operation Standards	8
2.2 Handling Measures	10
Chapter 3 Panel Description	12
3.1 Front Panel	12
3.2 Rear Panel	13
Chapter 4 Basic operation	15
4.1 Interface structure overview	15
4.2 SYSTEM Setup	16
4.2.1 System Test Parameter Settings	16
4.2.2 System Environment Parameters Setting	21
4.2.3 System Communication Setup	23
4.3 Meas SETUP	24
4.3.1 AC Withstanding Voltage Test Mode	25
4.3.2 DC Withstanding Voltage Test Mode	26
4.3.3 Insulation Resistance Test Mode	28
4.3.4 Pause Mode	29
4.3.5 OSC Detection Mode Setup	30
4.4 TEST Setup	31
4.4.1 OFFSET	33
4.4.2 List Display and Step Display	33
4.5 Test Methods	34
4.5.1 Offset of the Test Cable / Fixture	34
4.5.2 Sampling Operation of Standard Capacitor	35
4.5.3 Method of Connecting the DUT	35
4.5.4 Test Procedures	35

4.6 Voltage Breakdown Test	37
4.6.1 Brief description	37
4.6.2 Operation instruction	37
4.7 File Storage.....	39
4.8 HANDLER.....	40
4.8.1 Brief Introduction	40
4.8.2 External Control Line Legend.....	41
Chapter 5 Interface and Communication.....	45
5.1 Remote Control Interface	45
5.1.1 RS232C Interface Instruction.....	45
5.1.2 GPIB Interface Instruction	51
5.2 Serial Port Commands Instruction.....	54
5.2.1 SCPI Commands.....	55
5.2.2 DISPlay Subsystem Commands	55
5.2.3 FUNCTion Subsystem Commands	55
5.2.4 SYSTem Subsystem Commands	72
5.2.5 MMEM Subsystem Commands	78
5.2.6 USB Subsystem Commands	79
5.2.7 FETCH Subsystem Commands.....	80
5.2.8 Other Commands	81
Chapter 6 Technical Parameter.....	82
Chapter 7 Warranty	84

Chapter 1 Overview

1.1 Introduction

SME1190/SME1190A AC/DC withstanding voltage & resistance tester is designed for conducting automatic test of withstand voltage, insulation resistance and open and short circuit check for motor and electronic equipment. For withstand voltage test, with output power AC:500VA (5kV, 100mA) and DC:150VA (6kV,25mA), it can be used to conduct the testing of withstanding voltage for the high power motor and electronic equipment, as well to do the same test for the components. For insulation resistance test, the displayable range is 0.1MΩ~50GΩ, test voltage can be set arbitrarily from 50V to 5000V. For open and short circuit check test, judge whether the DUT is reliably connected before conducting the high voltage test and then conduct the high voltage test. For display, measurement mode, time, voltage, current, resistance value, test procedure can be displayed on the screen. In addition, there is list display mode to display multiple steps of settings and sequence test results. This tester is also equipped with RS-232C, USB, HANDLER, and optional GPIB, which enable the device to work with various automatic testing systems that require high security and reliability.

The tester provides multiple test functions, typical ones:

- **High Voltage Floating Output design (for SME1190 only)**
When SME1190 high voltage output is set to the floating state, if the output high voltage is 5KV AC or 6KVDC at high voltage output terminal HV1, HV2, the leakage current of HV1 or HV2 terminal to earth(Earth) is no more than 3mA.
- **AC/DC Withstanding Voltage Test**
The output power AC is 500VA (5kV, 100mA), when AC voltage is smaller than 4kV, maximum current can reach 120mA; DC is 150VA (6kV, 25mA), DC voltage is smaller than 1.5kV, maximum current can reach 20mA.
- **Insulation Resistance Test**
Test range is 0.1MΩ~50GΩ, test voltage is 50V~5000V, the value can be set up arbitrarily by using 1V as step.
- **OSC Check**
Before conducting high voltage test, please determine whether the DUT is reliably connected, in order to reduce the occurrence of poor contact.
- **ARC Detection Function**
To judge the DUT insulation performance is poor or not by using high frequency signal detection.
- **Breakdown Voltage Test Function**
According to the set up, gradually conduct the test on the DUT, to find out its high voltage tolerance for analysis and improvement.
- **List Display Function:** simultaneous display settings of multiple steps and test results of sequential execution
Various communication interfaces are available which enable the device to output the test results to external equipment (such as a computer) or automatic test system conveniently.
- **RS-232C interface:** RS-232C provides convenient serial communication with the peripheral, the peripheral can conduct the set up of various functions and parameters of the tester through this interface.

- **USB DEVICE** interface and **LAN** interface
- **HANDLER** interface: this interface enable the connection of the tester and the automatic equipment, control the tester operation and feedback the test results.
- **GPIB** interface (option): this general purpose interface provides the convenience for the tester to be connected with an automatic test system including a computer and other measuring instruments

This tester also provides convenient and practical file function, which can save the measuring parameters set up by the user. It can save 100 files, at most 50 steps per file.

1.2 Conditions of Use

1.2.1 Power

Power voltage: 100V~240VAC

Power frequency: 47Hz~63Hz

Rated power: 800W

1.2.2 Ambient Temperature and Humidity

Normal Operating Temperature: 0°-40°, Humidity: 20%-90%RH

Reference Operating Temperature: 20°±8°, Humidity: < 80%RH

Storage Ambient Temperature:-10°~55°, Humidity:< 90%RH

1.2.3 Preheating

Warm up time after power on: ≥ 20 minutes

1.2.4 Precautions

- 1) Please do not locate and use the tester in the poor environment where it is exposed to dust, vibration, and direct sunlight, corrosive or with flammable gas, etc.
- 2) When the tester won't be used for a long time, please have it packed in its original carton or similar carton and store in a dry and ventilated room with suitable temperature, with no harmful impurities in the air which may corrode the tester, also should avoid direct sunlight.
- 3) Before turn on the power, make sure the voltage and fuse are identical to the ones on the manual, including shape, grade, characteristics etc. If different type of fuse is used or in short circuit, then the tester may be damaged.

Input Voltage Range	Frequency Range	Fuse (slow melting)	Rated Power
110VAC (100V~120VAC)	47-63Hz	10A	800VA
220V (200V~240VAC)		5A	800VA

- 4) This tester is carefully designed to reduce the clutter interference due to the AC power input, even though should use it under the low noise environment, if this is unavoidable, please install a power filter.
- 5) Do not use the tester in locations affected by strong magnetic or electric fields. Operation in a location subject to magnetic or electric fields may cause the tester to malfunction, resulting in electrical shock or fire.

- 6) Do not use the tester in locations near a sensitive measuring instrument or receiver. Operation in a location subject, may cause such equipment may be affected by noise generated by the tester. At a test voltage exceeding 3 kV, corona discharge may be generated to produce substantial amounts of RF broadband emissions between grips on the test lead wire. To minimize this effect, secure a sufficient distance between alligator clips. In addition, keep the alligator clips and test lead wire away from the surfaces of conductors (particularly sharp metal ends).
- 7) There is a cooling fan at the rear of the tester, with right and left cooling vent, preventing internal temperature rise affecting accuracy, please make sure the tester is well ventilated.
- 8) Please do not turn on/off the power repeatedly. After turning OFF the power switch, be sure to allow several seconds or more before turning it ON again. Do not turn on/off power switch repeatedly, if you do this, the protectors of the tester may not be able to render their protective functions properly. Do not turn OFF the power switch when the tester is delivering its test voltage, you may do this only in case of emergency.
- 9) During the normal operation, please use INTERLOCK to ensure the safety. When using this tester in a cramped working space, make a box-like structure for the DUT; when testing a complicated large-scale DUT: provide a cover or other means for the DUT to prevent electric shock, cutting off the output when the cover is opened. It is also recommended that an enclosure be provided around the operating area and that output be cut off every time the door is opened, to keep the workplace safe and secure.

1.3 Volume and Weight

Dimension: 430mm (W)*132mm (H) *500mm (D)

Weight: 21kg

1.4 Safety Requirements

This tester is class I safety instrument.

1.4.1 Insulation Resistance

Under reference working condition, insulation resistance between power terminal and the shell is not less than 50M Ω ;

Under wet and hot transport condition, insulation resistance between power terminal and the shell is not less than 2M Ω ;

1.4.2 Insulation Strength

Under the reference working condition, the withstanding rated voltage between the power supply terminal and the shell is 1.5kV, AC voltage with frequency of 50Hz for 1 minute, no breakdown and arcing.

1.4.3 Leakage Current

Leakage current is not greater than 3.5mA.

Chapter 2 Precautions on Handling

This chapter describes the precautions to be followed in the handling of this tester. When using the tester, take utmost care to ensure safety.

⚠ WARNING: The tester derives a 5 KVAC or 6KVDC test high voltage, incorrect or wrong operation can cause accidents which will result in human injury or death. When operating the tester, be extremely careful and observe the cautions, warnings, and other instructions given in this chapter, keep them in mind to avoid accidents.

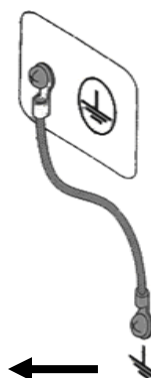
2.1 Operation Standards

1) Wearing Insulation Gloves

When handling the tester, be sure to wear insulation gloves in order to protect yourself against high voltages, even though, please do not touch the live conductor by hand when high voltage test is conducting.

2) Grounding

There is a protective grounding terminal on the rear panel of the tester chassis, please use a dedicated tool to connect it to an electrical ground (safety ground, earth). If there is no good grounding, when the circuit of the power is shorted to the ground or any device's power line is shorted to the ground, the tester chassis is charged to an excessively high voltage, resulting in extreme danger, anyone who touches such tester chassis, will result in electric shock accident, therefore, please make sure that the protective grounding terminal is connected to the safety ground.



3) Test Line Connection

Press **【STOP】** first, confirm that DANGER lamp is not lit, then connect the test line. When connecting the test lead wire to a DUT, please connect the DUT with the test lead wire of HV2 or RTN/LOW first. It is very dangerous if the test line connection of HV2 or RTN/Low is incomplete or dropped, because the entire DUT will be charged with high voltage.

After high voltage plug of the high voltage test lead is inserted into HV1 and HV2, it must be rotated 90 degrees clockwise to prevent the test lead wire from falling off.

Before testing, it is a must to check whether the test lead wire of HV1 and HV2 or RTN/LOW are connected, loose or fall off.

4) Stop (Pause) Test

To change the test conditions, please press the STOP once first, this will take the tester out of the test preparation state and ensure that the DANGER lamp is off. If need to take a break or leave the test location, please switch off the power, to prevent the accidental contact with the start switch and cause a safety hazard.

5) Remote Control

Be very careful when operating the tester in remote control mode, because the start and stop of

high voltage is remote controlled, the operator can not know the actual working state of the tester through the interface. **Please pay special attention to the reliability of remote control connection:**

- 「STOP」key, must be connected reliably, 「STOP」key must be pressed before changing the DUT.
- When working in a crowded work environment, the remote control switch must have a interlock 「INTLOCK」 and the high voltage indicator. Disconnect the interlocker 「INTLOCK」 before changing the DUT.
- When testing voltage output, the operator or any other person is prohibited from touching the DUT, test lines, probes, output terminals and areas around them.

6) Test Completion Confirmation

If you have to touch the high pressure area such as the DUT, test leads, probe or output terminal because of reconnection or other test-related conditions, please confirm:

- The power switch is turned off or the working status of the tester is not in the test state, and DANGER lamp has gone out.
- The DUT may be charged with high voltage even after the test completion, please pay special attention that whether or not the DUT is fully discharged.

7) High Voltage Testing Discharge

In high voltage testing, test lead wires, probes and DUT are all charged with high voltage. The tester is equipped with a discharge circuit, but some time it still requires to discharge after the output is cut off. There is a danger of electric shock during discharge, do not touch anything that could cause an electric shock. As soon as the output is cut off, the tester's discharge circuit starts forced discharging. Do not disconnect the DUT during a test or prior to the completion of discharging.



Discharge time:

The time at which the voltage is completely discharged is determined by the test voltage used and the characteristics of the DUT.

During the test process, discharge of the DUT is conducted by the transformer secondary winding (approximately resistance of 2k) and approximately 0.1S is required for 10uF capacitor with high voltage of 6000V to discharge to 30V. The fixed discharge time of the tester is 0.2s, which ensures complete discharge of the tester. The internal filter capacitor of the tester is discharged through the discharge circuit, which ensures complete discharge of the tester within 0.2S.

Assume that a high voltage is applied to a DUT, equivalently, a high voltage is applied to a circuit with a 0.01uF capacitor in parallel with a 100MΩ resistor, if the DUT is disconnected during a test or prior to the completion of discharging, approximately 5S is required for DUT with high voltage of 5000V to be discharged to 30V, approximately 3.5S is required for DUT with high voltage of 1000V.

Computational formula of discharge time: $t = -\ln(30 / U) \times R \times C$

t: discharge time

30: discharge residue safety voltage 30V

U: test set voltage

R: discharge impedance of the DUT, approx. 2KΩ

C: capacitance of the DUT

If the time constant of the DUT is known, then the time required to discharge to 30V can be calculated by the above formula after the output is cut off.

8) Turn ON or OFF the Power Switch

Once the power switch is turned off, be sure to allow several seconds or more before turning it ON again, never turn on and off the power switch repeatedly, so as not to cause erroneous actions. Especially in the state of high-voltage output, it is very dangerous to continuously turn on and off the switch. **When turn or off the power switch, no items should be connected to the high voltage output terminals to avoid danger due to abnormal high voltage output.**

9) Do Not Touch the High Voltage Area in Test Status

While the tester is in test state, there is hazardous high voltage electricity on the high voltage output, high voltage test line, high voltage probe, DUT and their exposed conductor's surroundings, please do not approach or touch these areas.

Warning: Do not touch the alligator clip on the test line. When the instrument is in the test state, the rubber skin on the alligator clip is not insulated enough, it is very dangerous to touch it!

10) Do not short the output terminal to the earth ground

Do not short circuit the high voltage output cable, grounding wire and transmission line or the grounding wire of other connectors or AC power to avoid the entire tester's chassis being charged to a very dangerous voltage. To short the high voltage output terminal HV1 to HV2 or RTN/LOW, the entire housing of the tester must be reliably connected to the ground.

11) Do not connect external voltage to the test terminal

Do not apply a voltage from any external device to the output terminals of the tester. The tester does not have an external discharge function in the non-discharge state. The tester may be damaged if its output terminals are subject to an external voltage.

2.2 Handling Measures

1) Actions When in Emergency

In case of an emergency (such as electric shock hazard or burning of DUT) while the tester's high voltage output is not cut off, take the following actions. You may do either (a) or (b) first. But be sure to do both:

- a. Turn OFF the power switch of the tester.
- b. Disconnect the AC power cord of the tester from the AC line receptacle.

2) Handling for Dangerous State of Faulty Tester

Under the following circumstances, all problems occurred are regarded as very dangerous, even if **【STOP】** key is pressed, its output terminal may still delivering high voltage, therefore, you must be extremely careful.

- When **【STOP】** is pressed, DANGER indicator light is still on.
- The voltmeter has no voltage reading, but DANGER indicator light is still on.

When above situations occur, please immediately turn OFF the power switch and disconnect the AC power cable from the AC line receptacle. Immediately keep far away from the instrument and confirm no risk of the test circuit by the technical personnel; or keep the instrument still for more than one hour and confirm no output voltage in the test terminal. Remove the relevant connecting lines and send the instrument back to us for maintenance.

Warning: Keep away from the instrument after turning off the power and prevent other people from approaching. Do not immediately disassemble the test circuit. Immediately call our distributor or agent. High voltage may remain in the interior of the instrument. It is hazardous for an unqualified person to attempt to troubleshoot any tester problem.

3) DANGER Indicator Failure

When **【START】** key is pressed, there is already a reading on the voltmeter, but the DANGER indicator is still not lit, it may be that the indicator light is faulty, please shut down the tester immediately and have it returned to our company to check and repair.

4) Long-Term Use without Failures

If the high limit is set to 100.0mA (at withstand voltage testing), please pay attention to the temperature change, suspend use if the ambient temperature exceeds 40°C, wait till the temperature is returned to the normal level, please be sure to check.

5) Replace the Fuse

To prevent electric shock, be sure to turn off the power switch and unplug the AC power cord before checking and replacing the fuse, remove the fuse holder located in the power socket, take out the fuse and press the new fuse into the fuse holder, then press into the power outlet.

⚠ WARNING: Make sure the fuse used is identical to the ones described on the manual, including the shape, grade, characteristics etc. If different type of fuse is used or short circuit, then the tester may be damaged.

6) AC Power source

The AC input power used by this tester is 100V-240VAC, frequency is 47Hz-63Hz. If the power supply is very unstable, this will cause the action inaccurate or action abnormal, therefore, please use an appropriate device to convert to a stable power source, such as a power stabilizer.

7) Output Power 500VA

When the DUT draws a large amount of current, prior to the determination of the defective products and output current cut off, there is possible inflow of large current (approximate tens of amps) which can last tens of milliseconds, the same situation may also apply prior to testing, therefore, must pay attention to the capacity of the power cord and the applicable current line that is used together with other instruments or devices.

8) Keep Test Lead Far Away from the Panel

When in test, please keep the high voltage cable or DUT at least 30cm away from the panel, avoid high voltage interference monitor.

9) Precautions When Connecting Automation Equipment

- The grounding system of the tester and the automation equipment must be connected together.
- Install the anti-interference magnetic ring on the two ends (device output end and DUT end) of high voltage cable and RTN/LOW test line, and wind the wire at least more than one turn.
- High voltage cable and RTN/LOW test line must be separated from the control wire.
- High voltage cable and RTN/LOW test line must be kept at an appropriate distance from the tester/panel.

Chapter 3 Panel Description

The contents of this chapter are only for a brief description. For details of operation and detailed explanation, refer to Chapter 4 for the corresponding content.

3.1 Front Panel

Figure 3-1 gives a brief description of the front panel.

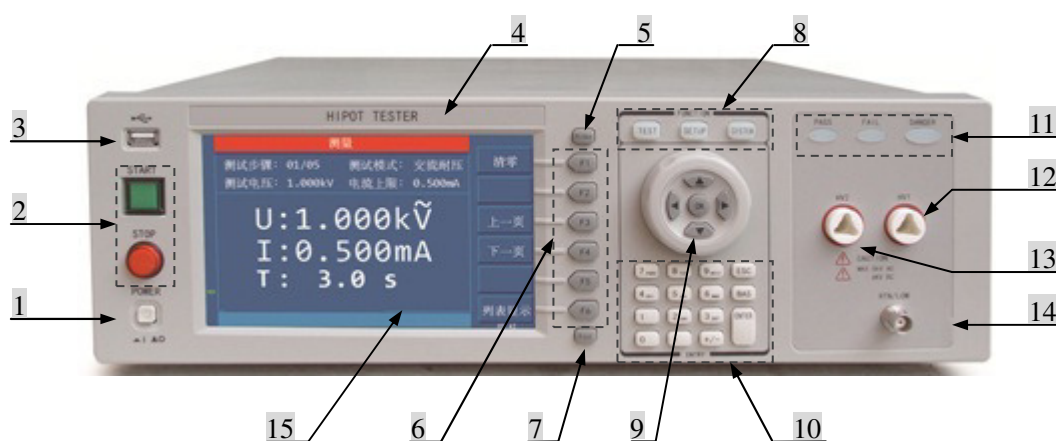


Figure 3-1

1. POWER

Turn AC power ON or OFF.

2. START key (green and square) and STOP key (red and round)

START key: used to start the test, once the test starts, the DANGER indicator lights up.

STOP key: used to stop the test; it can also be used to cancel the prompt status such as PASS, FAIL etc.

3. USB Interface

It is used to externally connect to USB storage.

4. Brand and Model

5. PrtScn key

Screenshot key, it is used to capture the current screen image to the USB memory and USB need to be inserted into the front panel jack in advance.

6. F1~F6 Selection key

There are different functions under different screens. There are corresponding function options on the right side of the screen for quick selection. If the description text is blank or gray, it means the corresponding key is invalid.

7. FILE key

File shortcut key, the internal and external files can be checked.

8. Function Area (FUNCTION)

TEST key: press the key and the corresponding key lights up, the instrument is ready to test;

SETUP key: press the key and the corresponding key lights up, the instrument enters parameter setting interface;

SYSTEM key: press the key and the corresponding key lights up, the system setting interface will be displayed;

9. Arrow Key

Move the cursor on the screen, the selected parameter is displayed in blue.

10. Numeric keypad

Enter numbers or enter characters (file names) when needed.

11. Indicator Area

PASS: when the test data does not exceed the set data after the test, the tester will light in PASS;

FAIL: when the test data exceeds the set data in test, the tester will light in FAIL;

DANGER: as soon as the test starts, this key will light up, indicating that the test is in progress, there is a high voltage being output.

12. HV1 Terminal

The high potential terminal of high voltage output, this is the high voltage output terminal, when DANGER light is on, it means there is high voltage delivering, touching is forbidden.

13. HV2 Terminal

RTN terminal of high voltage output (only for SME1190, when GFI is set to FLOAT), when DANGER light is on, it means there is high voltage delivering, touching is forbidden.

14. RTN/LOW Terminal

High voltage test reference terminal, which is low potential terminal.

15. LCD Screen

Display test information.

3.2 Rear Panel

Figure 3-2 gives a brief description of the rear panel.

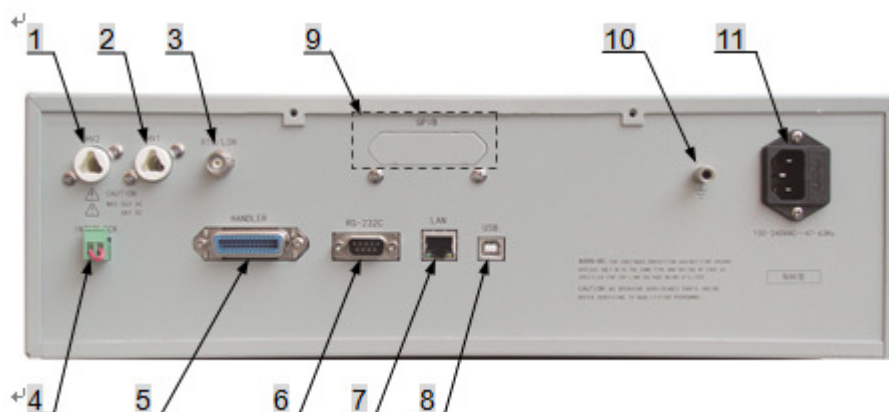


Figure 3-2

1. HV2 Terminal

RTN terminal of high voltage output (only for SME1190, when GFI is set to FLOAT), when

DANGER light is on, it means high voltage is delivering, touching is forbidden.

2. HV1 Terminal

The high potential terminal of high voltage output, this is the high voltage output terminal, when DANGER light is on, it means there is high voltage delivering, touching is forbidden.

3. RTN/LOW Terminal

High voltage test reference terminal, which is low potential terminal.

4. INTER LOCK

Only when the two ends are short circuited, high voltage output is allowed.

5. HANDLER Interface

This interface controls the start/stop of the instrument and outputs test results. For details, refer to the instrument HANDLER interface description chapter.

6. RS232C Serial Interface

Serial communication interface can realize the communication with the computer.

7. LAN Interface

LAN communication interface can realize the communication with the computer.

8. USB Device interface

Through USB DEVICE communication interface, the computer can control the instrument by using the control instruction commands.

9. GPIB (Option)

It provides a universal parallel communication interface between the instrument and external devices. All parameter settings, commands, etc. can be set and obtained by the computer to realize remote control without the instrument panel.

10. Protective Earth Terminal

Safety grounding terminal, to be used to connect instrument to the ground, please use a dedicated tool to have it grounded securely.

11. Power Jack

AC power outlet and fuse holder, a three-wire power supply and fuse socket.

Chapter 4 Basic operation

4.1 Interface structure overview

The following figure is the interface structure:

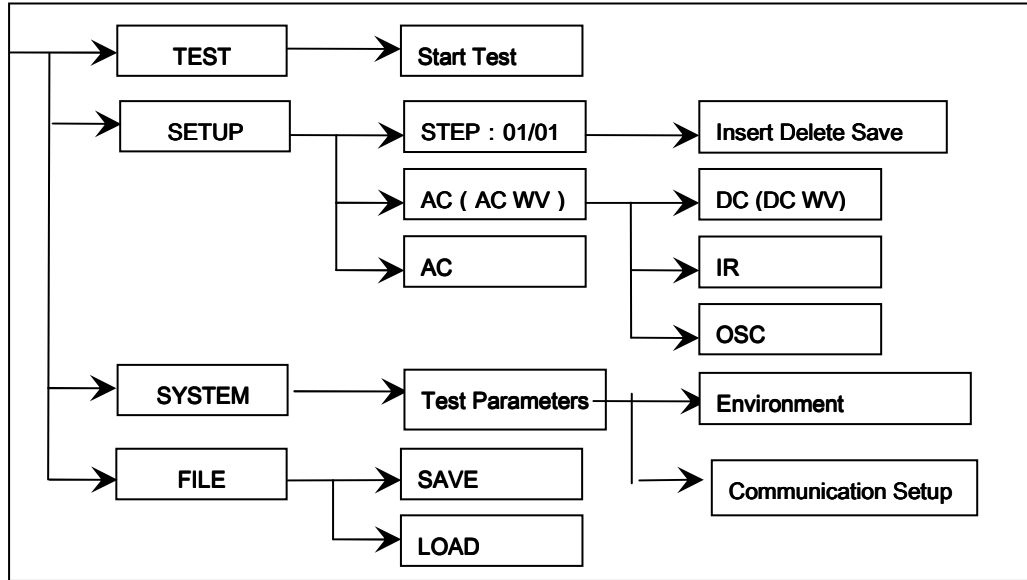


Figure 4-1 Operation Steps

Interface Instructions:

- The first line in the interface structure shows the initial states corresponding to the function keys on the panel (specific interface parameters are described in details later). The TEST interface cannot modify parameters.
- The second line in the interface shows the parameter structures of the initial interface. For example: STEP 01/01 in the SETUP interface means that it is the step 1 of the programme and the total steps is 1; AC: means the AC withstanding voltage test interface; AC parameter means that other parameters are AC withstanding voltage test parameters.
- The third line in the interface is the function toggle interface. When some function labels are selected in the second interface, the corresponding functions can be changed and their relative parameters will also vary. For instance, changing AC to DC, the tester will change from the AC withstanding voltage test mode to the DC withstanding voltage test mode, and the current AC parameter will be changed into DC parameter.

4.2 SYSTEM Setup

4.2.1 System Test Parameter Settings

Operation Instructions:

1. Press `[[SYSTEM]]` key to enter the system setting interface shown in Figure 4-2.
2. Press F1~F3 key to change the measurement, environment and interface related system settings.
3. Press `[[▲]]` , `[[▼]]` key to move the cursor to the parameters you want to set. Change the parameter settings with F1~F6 keys or numeric keys.
4. If you need to input with the numeric keys, press `[[ENTER]]` to confirm, `[[ESC]]` key to reset, and `[[BAS]]` key to delete the incorrectly entered numbers or letters.

Test related parameters setting in SYSTEM are shown in Figure 4-2:

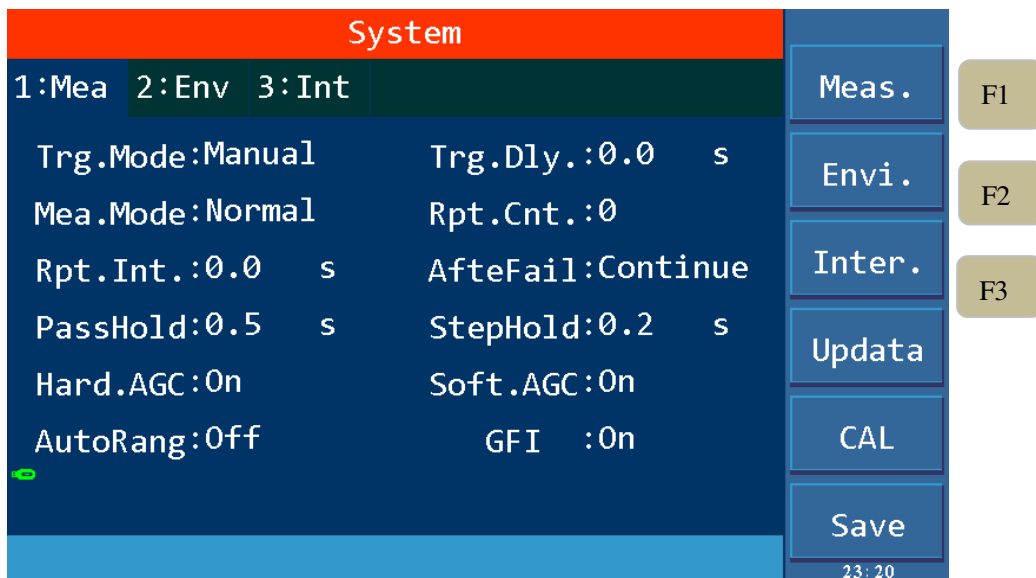


Figure 4-2 SYSTM Test Parameter Settings

Setup items	Range	Default	Explanation
Trg. Mode	Manual External Bus	Manual	Set the trigger mode of the instrument to start the test, only accept the trigger signal in the current trigger mode.
Trg. Dly	0.0~99.9S	0.0S	Set the delay time from the receipt of the trigger signal to the start of the measurement.
Mea. Mode	Normal Repeat Continue	Normal	Normal: Only one test is performed according to the file settings. Repeat: Perform the test multiple times as set up. Continue: Uninterrupted continuous cycle test.
Rpt. Ctn.	0~999	0	For the above repeated test mode, repeat count can be set.
Rpt. Int.	0.0~99.9S	0.0S	For repeated and continuous tests, set the time interval between two tests.
AfterFail	Continue Restart Stop	Continue	The test fails, that is, after the instrument reports FAIL, it can be set to continue the next test, or press [START] to restart, or press [STOP] first, then press [START] to start the test.
PassHold	0.2~99.9S	0.5S	Set the duration of the buzzer sound when in PASS.
StepHold	0.2~99.9S/key	0.2S	Set the time interval between test steps, the key means to press [START] to continue test after the test stopped.
HardAGC	ON/OFF	ON	Set the hardware automatic gain compensation function to ON or OFF.
SoftAGC	ON/OFF	ON	Set the software automatic gain compensation function to ON or OFF.
AutoRange	ON/OFF	OFF	Set the withstanding voltage automatic shift function to ON or OFF.
GFI	ON/OFF/FLOAT	ON	Set the electric shock protection function to ON or OFF.

Table 4-1

4.2.1.1 Trigger mode

The tester can only start the test after receiving the trigger signal. This tester has four kinds of trigger modes: manual, external (EXT), BUS, automatic. The tester can only accept the trigger signal in the current trigger mode and the trigger signal is only valid under the TEST interface.

Before the completion of one measurement, the tester ignores other triggers. It can only be triggered again after the measurement is finished, or press the **【STOP】** key to exit the current measurement, and then trigger the measurement again.

- Manual trigger: press the **【START】** key on the panel to start measuring.
- External trigger: input a low level greater than 10mS through the external HANDLER interface board.
- Bus Trigger: Start the test by sending a trigger signal through the RS232C or GPIB interface. The bus trigger mode can only be set by using bus commands. For details, please refer to Chapter 5.

4.2.1.2 After Fail

After Fail is test fail, which refers to the setup of handling measures after the test reports FAIL, it is divided into continue, restart and stop test.

1. When it is set to CONTINUE, when any of the STEPs determines that the DUT is defective, the test will continue until all the STEPs are completed.
2. When it is set to RESTART, when any of the STEPs determines that the DUT is defective, you can directly press the **【START】** key to restart the test.
3. When it is set to STOP, when any of the STEPs determines that the DUT is defective, you must press the **【STOP】** key before pressing the [START] key to restart the test.

4.2.1.3 Hardware/Software Compensation

Due to the output impedance of the test signal source, the load effect that is the load change, the output voltage changes accordingly, the compensation function is used.

AC withstand voltage ACV: 50V ~ 5KV (hardware compensation is always ON, software compensation is ON by default and it can be set to OFF)

DC withstand voltage DCV: 50V ~ 499V (hardware compensation is ON by default and it can be set to OFF; software compensation is ON by default and it can be set to OFF)

DCV: 500V ~ 6KV (hardware compensation is always ON, software compensation is ON by default and it can be set to OFF)

Insulation resistance IR: 50V~499V (hardware compensation is ON by default and it can be set to OFF; software compensation is ON by default and it can be set to OFF)

IR: 500V ~ 5KV (hardware compensation is always ON, software compensation is ON by default and it can be set to OFF)

As shown in Figure 4-3: $V_o / V_s = R_L / (R_s + R_L)$

- Hardware compensation: $V_o < V_s$ due to load effect, using a hardware comparison circuit, V_o can be compensated to the same voltage as V_s in 0.1S.
- Software compensation: Due to the slow speed of software compensation, it will not cause a transient voltage shock on the DUT. Moreover, the general IR's impedance (R_L) is much larger than the output impedance (R_s) of the tester, so $V_o \approx V_s$.

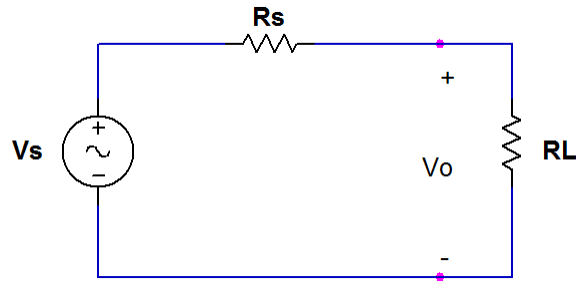


Figure 4-3

4.2.1.4 Auto Range

When the auto range, that is, the withstand voltage auto range function is set to ON, at 0.6S before the completion of the test, if the measured current can be expressed by the low current range, the current range is automatically changed to the low current range. Examples are shown in Figure 4-4.1 and Figure 4-4.2 and Figure 4-4.3.

1. If the current range in TEST is set as high current range, 100mA in Figure 4-4.1.

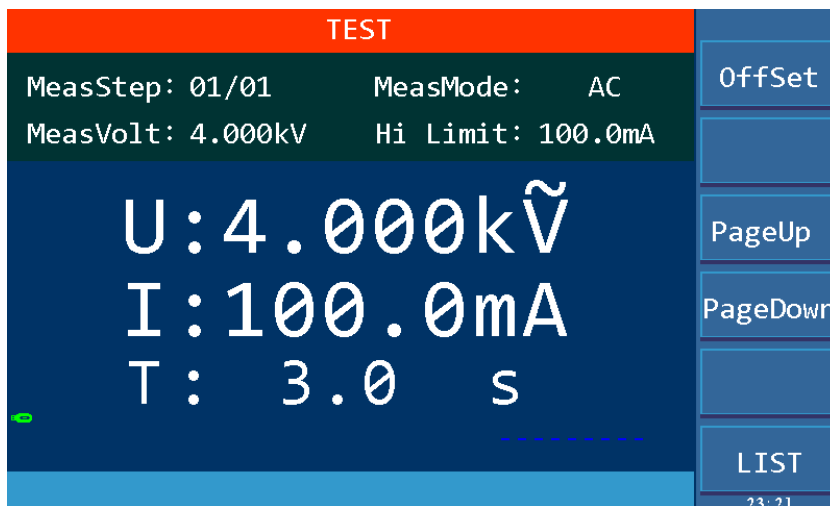


Figure4-4.1

2. But the actual current is comparatively small, 0.4mA as shown in Figure 4-4.2.

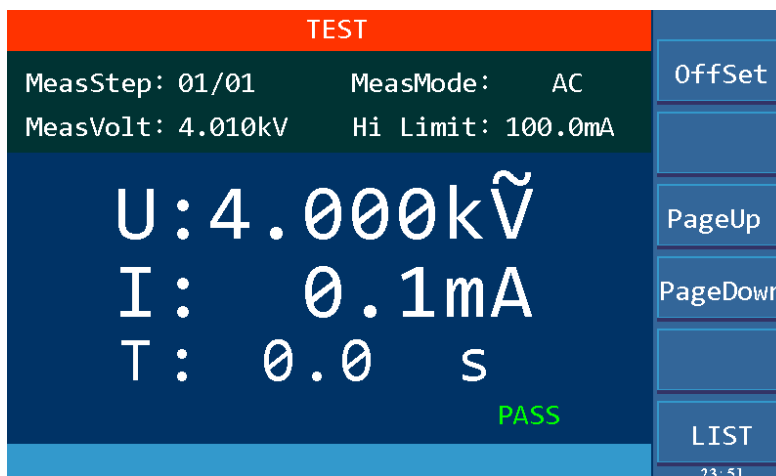


Figure4-4.2

- At 0.6S before the completion of the test, the current range is switched to the appropriate low range, which is 0.092mA in Figure 4-4.3.

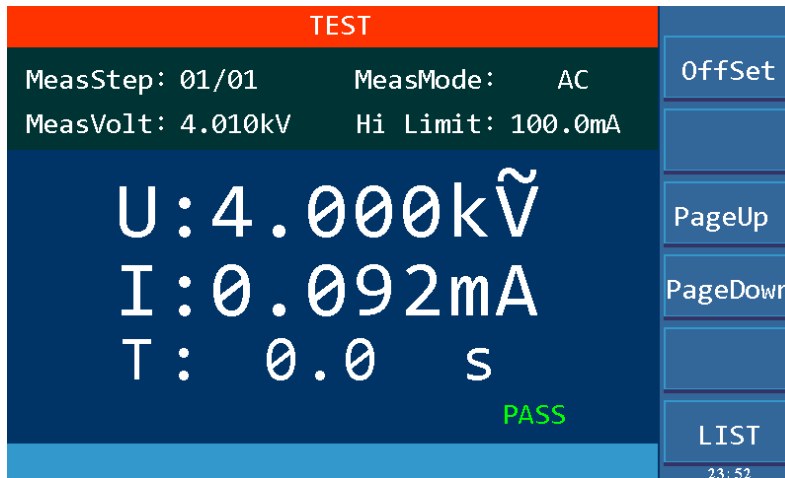


Figure4-4.3

4.2.1.5 Electric Shock Protection

Note: The output power of this tester can reach 500VA and the output current reaches 100mA (AC withstand voltage testing mode). In the event of an electric shock, the situation is already very serious, causing the operator to stun or even die. Therefore, in case that the tester allows, turn on the electric shock protection function or select the high-voltage floating output tester (SME1190).

The electric shock protection setting has three options, namely OFF, ON and FLOAT (only SME1190 has high-voltage floating output function). OFF and ON means the function is turned off and on. FLOAT means that the two high voltage output HV1 (high end), HV2 (low end) are isolated from the earth (with very high insulation resistance), for details, see the floating part description below.

- When the electric shock protection is set to ON, when the operator is in contact with the high voltage output terminals, as shown in Figure 4-5, the current meter measures different current values respectively, then the current flowing through the body $i_3 = i_2 - i_1$, when i_3 exceeds the limit, immediately cut off the high voltage output to protect the safety of the operator.

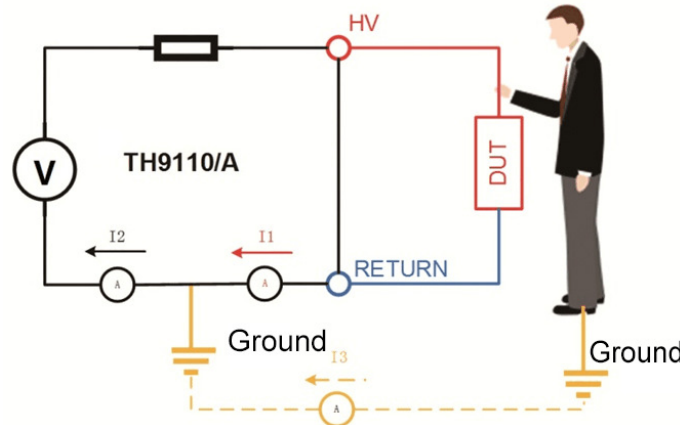


Figure 4-5

- b) When the electric shock protection is set to FLOAT, the high-voltage output high terminal HV1, low terminal HV2 are in a float state, as shown in Figure 4-6. When the human body accidentally touches the test high voltage terminal, the low terminal HV2 of the high voltage circuit is not grounded, but isolated from the ground, equivalent to connecting a high insulation resistance, therefore, the current through the human body will not exceed 3 mA, thus ensuring the safety of operator. As shown in Figure 4-7.

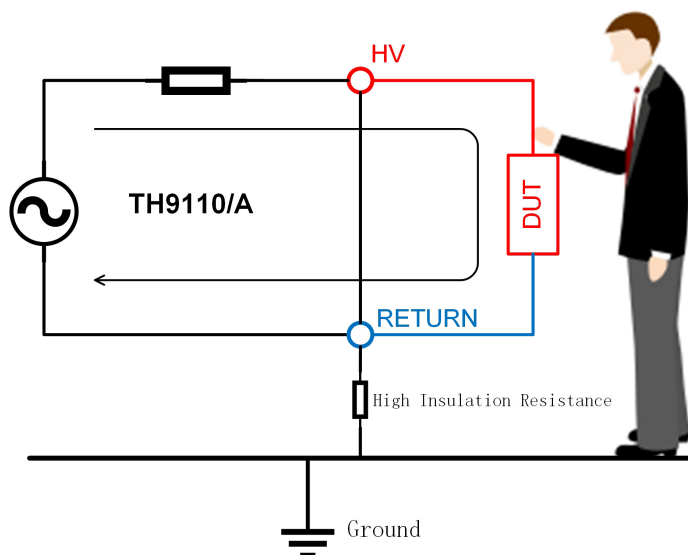


Figure 4-6

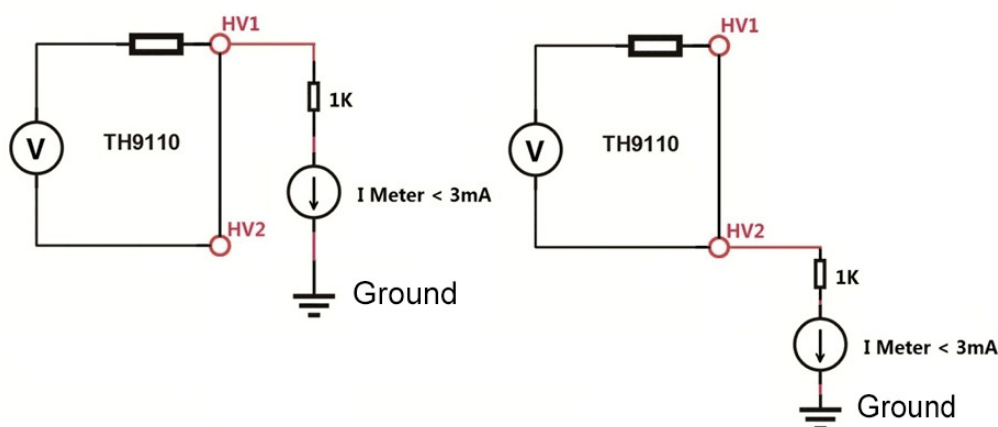


Figure 4-7 Relationship of HV1/HV2 Terminal to the Ground

4.2.2 System Environment Parameters Setting

Operation Instructions:

1. Press `[[SYSTEM]]` to enter the system setting interface shown in Figure 4-2.
2. Press `[F2]` key to enter the environment-related system settings shown in Figure 4-8.
3. Press `[[▲]]`, `[[▼]]` to move the cursor to the parameter to be set. Change parameter settings via `F1~F6` keys or numeric keys.

The environment related parameter settings in the System settings are shown in Figure 4-8:

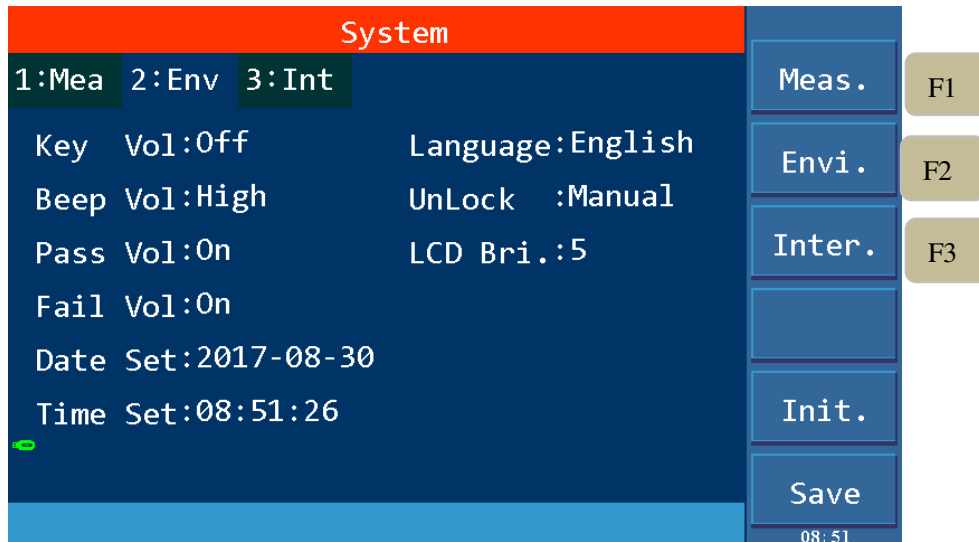


Figure 4-8 system environment parameter settings

Item	Range	Default	Explanation
Key Vol	ON/OFF	OFF	Set the key sound volume to ON or OFF.
Language	Chinese/English	Chinese	Set Chinese or English Display.
Beep Vol	Off/Low/Mid/High	High	Adjust the buzzer volume.
UnLock	Manual/Bus	Manual	Set the key lock, manual setting or bus control.
Pass Vol	OFF/ON	ON	Set the PASS beep to ON or OFF.
LCD Bri.	1~10	5	Adjust the screen brightness.
Fail Vol	OFF/ON	ON	Set the FAIL beep to ON or OFF.
Date Set	_____	_____	Set the year, month and day as needed.
Time Set	_____	_____	Set 24-hour time as needed.

Table 4-2

Key lock can be controlled by manual control and bus control. Manual control is as follows:

- a) On the non-TEST page, ie. SYSTEM or SETUP interface, press [STOP] key to enter the interface shown in Figure 4-9.
- b) Press [F6], the key is locked; press [F6] again to unlock. There are corresponding icons and text prompts in the lower left corner of the page.

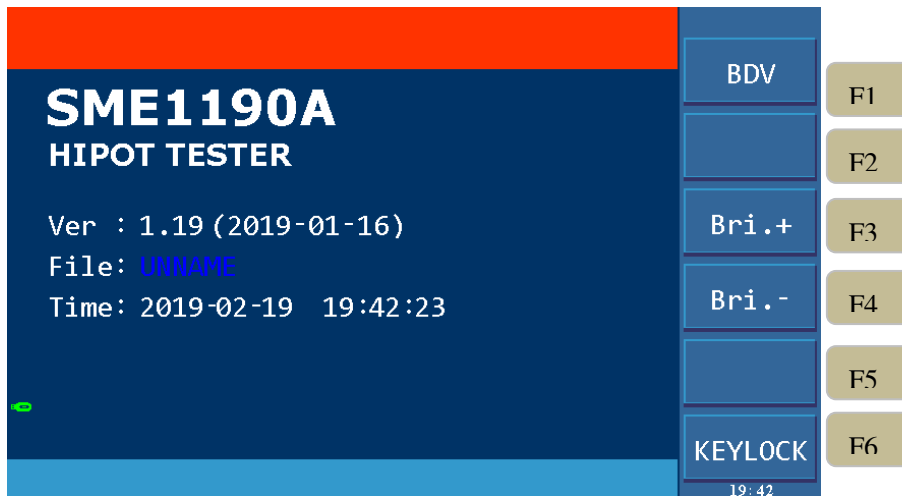


Figure 4-9 key lock and password interface

4.2.3 System Communication Setup

Operation Instructions:

1. Press `[[SYSTEM]]` to enter the system setting interface shown in Figure 4-2.
2. Press the `[[F3]]` button to enter the communication settings page.
3. Press `[[▼]]` to move the cursor to the port format setting and enter the setting page shown in Figure 4-10.
4. Select the port format to be set by using the F1~F4 keys.
5. Press `[[▲]]`, `[[▼]]` to move the cursor to the item to be set and change the parameter setting by F1~F6 or numeric key.

System communication setup as shown in Figure 4-10:

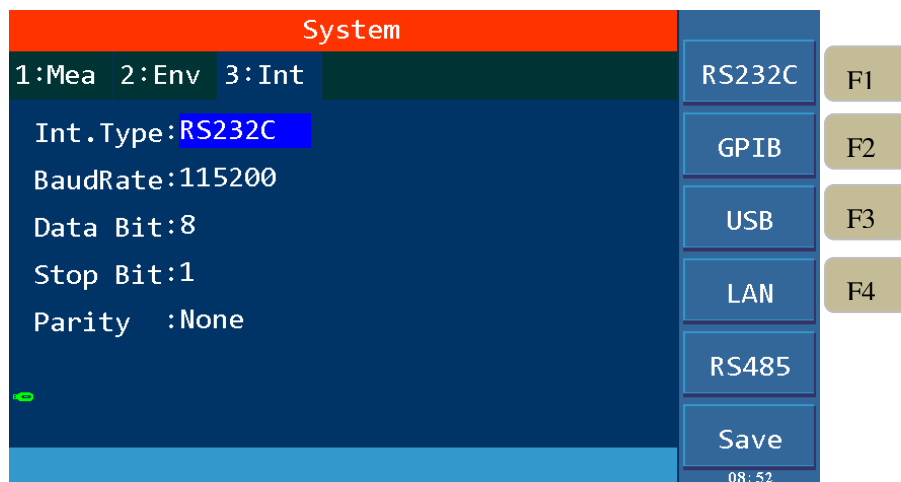


Figure 4-10 system communication setting

As can be seen from the above figure, the communication of the tester is mainly divided into RS232C, GPIB (optional), USB and LAN. For detailed explanation and detailed instructions, see Interface and Communication section in Chapter 5.

4.3 Meas SETUP

Operation Instructions:

1. Press **[[SETUP]]** to enter the measurement setup interface shown in Figure 4-11.
2. INSERT, DELETE, NEW, SAVE or select up or down by pressing the F1~F6.
3. Press the right arrow key to move the cursor to the test mode option, as shown in Figure 4-12, uses the F1~F5 keys to select whether the test mode is AC withstand voltage, DC withstand voltage, insulation resistance, pause mode or open short circuit detection OSC.
4. Move the cursor to the test parameter in the corresponding mode by using the arrow keys and change the parameter setting by using the F1~F6 keys or numeric keys.

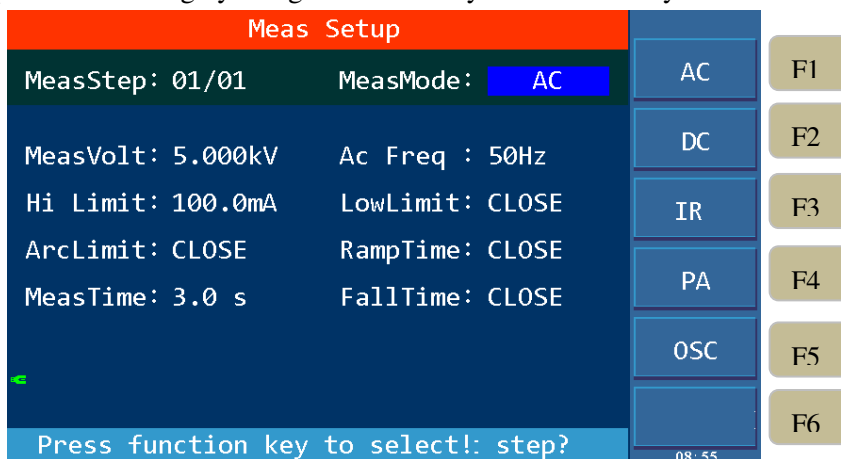


Figure 4-11 Meas Setup

Test procedures: current setting step number / total number of test steps. The change of the test steps are as shown in the table below:

Key	Function	Explanation
F1	INSERT	Add a new test item. The current item and subsequent items will move one step backward.
F2	DELETE	Delete the current test item. The subsequent item will move one step forward.
F3	NEW	Create a blank test program (PROG). Please remember to save the test program after finishing writing.
F4	SAVE	Save the current test file
F5	Up	Move to the display screen of the previous step of the current step.
F6	Down	Move to the display screen of the next step of the current step.

Table 4-3

4.3.1 AC Withstanding Voltage Test Mode

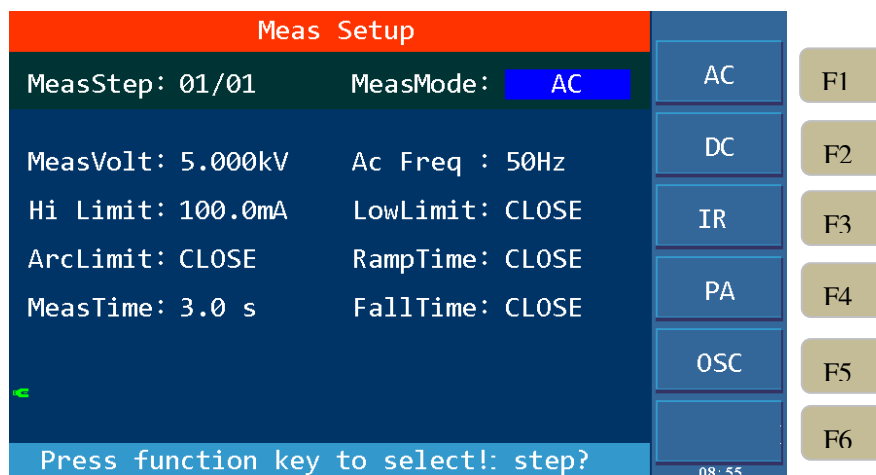


Figure 4-12 Meas Mode Setup

Setting Item	Range	Default	Explanation
MeasVolt	0.050 ~ 5.000kV, 0 — CLOSE	CLOSE	Set the voltage required for AC withstanding voltage testing.
Ac Freq	50Hz or 60Hz	50Hz	Select the frequency for AC withstanding voltage testing.
Hi Limt	0.001 ~ 120.0mA	500.0uA	Set the high limit of the test current. The voltage is $\leq 4\text{kV}$, the current can reach 120mA; the voltage is $>4\text{kV}$, the current is up to 100mA.
Low Limit	0.001mA ~ Hi Limit, 0 — CLOSE	CLOSE	Set the low limit of the test current. The low limit must be \leq high limit or Close.
Arc Limit	1mA ~ 20mA, 0 — CLOSE	CLOSE	Set the allowable AC arc current high limit. CLOSE means no requirement for arc.
Ramp Time	0.1 ~ 999.0s, 0 — CLOSE	CLOSE	Set the time required to rise to the set voltage. Close the ramp time, the voltage ramp is completed during the first cycle of the test.
MeasTime	0.3 ~ 999.0s 0 — Continue	3.0S	Set the measure time for the AC withstanding voltage testing. Set to 0 means that the test is continued until the STOP key is pressed to end.

FallTime	0.1~999.0s, 0 — CLOSE	CLOSE	The time it takes to drop from the set voltage to the low voltage. CLOSE means that the test time is finished and the voltage output is cut off directly.
----------	--------------------------	-------	--

Table 4-3

4.3.2 DC Withstanding Voltage Test Mode

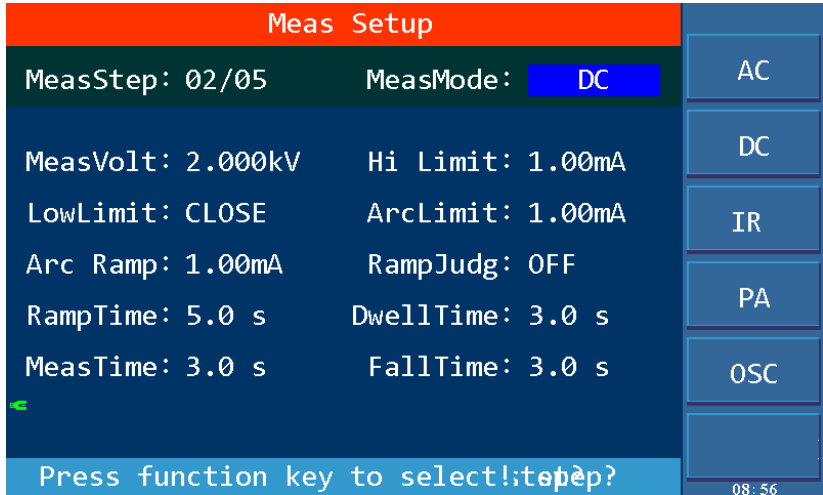


Figure 4-13 DC Withstanding Voltage Setup

Setting item	Range	Default	Explanation
MeasVolt	0.050~6.000kV, 0 — CLOSE	CLOSE	Set the voltage required for DC withstand voltage testing.
Hi Limit	0.0001mA~25mA	500.0uA	Set the high limit of the test current. The voltage is < 1.5kV, the maximum current can reach 20mA; the voltage is ≥1.5kV, the maximum current can reach 25mA.
Low Limit	0.0001mA ~ Upper Limit, 0 —CLOSE	CLOSE	Set the low limit of the test current. The low limit must be ≤ the high limit or Close.
Arc Limit	1mA~10mA, 0 —CLOSE	CLOSE	Set the allowable DC arc current high limit. Close means no requirement for arc.
Arc Ramp	1mA~10mA, 0 —CLOSE	CLOSE	Set the high limit of the arc current when the DC voltage rises. Close means no requirement for arc when voltage rises.

RampJudg	CLOSE or ON	CLOSE	<p>When the RampJudg is set to ON, the DC withstand voltage testing judges whether the current test value exceeds the set value of current high limit when performing the ramp time.</p> <p>When the RampJudg is set to Close, the DC withstand voltage testing does not judge whether the current test value exceeds the set value of current high limit when performing the ramp time.</p>
Ramp Time	0.1~999.0s, 0 — CLOSE	CLOSE	<p>Set the time required to rise to the set voltage.</p> <p>When Ramp Time is set to Close, the voltage rise is completed during the first cycle of the test.</p>
DwellTime	0.1~999.0s, 0 — CLOSE	CLOSE	<p>Set the time needed for dwell (the current high limit and low limit are not judged within the dwell time, but should not exceed the high limit of the set current grade).</p>
MeasTime	0.3~999.0s, 0 — Continue	3.0S	<p>Set the measure time for the DC withstanding voltage testing.</p> <p>0 indicates that the test is continued until STOP key is pressed.</p>
Fall Time	0.1~999.0s, 0 —CLOSE	CLOSE	<p>The time it takes to drop from the set voltage to low voltage.</p> <p>CLOSE means that the test time is over and the voltage output is cut off directly. (The DUT may be charged).</p>

Table 4-4

4.3.3 Insulation Resistance Test Mode

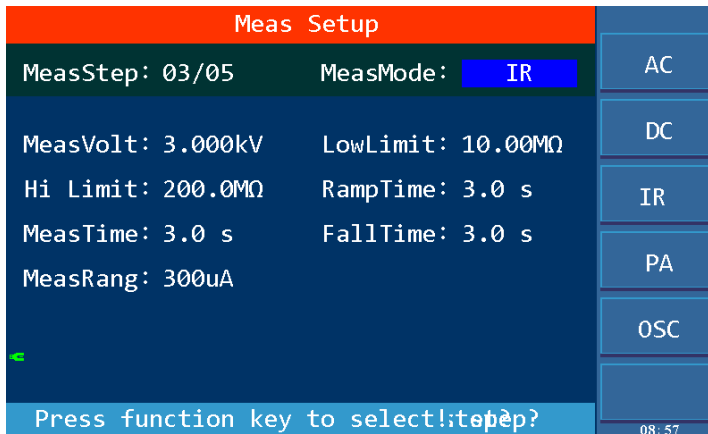


Figure 4-14 IR Test Setup

Setting item	Range	Default	Explanation
MeasVolt	0.050~5.000kV, 0 —CLOSE	CLOSE	Set the voltage required for the insulation resistance test.
Lowlimit	0.1M~50GΩ	1.000MΩ	Set the insulation resistance low limit.
Hi Limit	Low limit~50GΩ, 0 —CLOSE	CLOSE	Set the high limit of the insulation resistance, which is greater than the low limit of the insulation resistance or Close.
Ramp Time	0.1~999.0s, 0 —CLOSE	CLOSE	Set the time required to rise to the set voltage. Close the ramp time, the voltage ramp is completed during the first cycle of the test.
MeasTime	0.3~999.0s 0 — Continue	3.0S	Set the measurement time for the insulation resistance test. 0 indicates that the test is continued until STOP key is pressed.
Fall Time	0.1~999.0s, 0 —CLOSE	CLOSE	The time it takes to drop from the set voltage to the low voltage. Close means the end of the test time, directly cut off the voltage output.
MeasRang	Auto, 10mA, 3mA,300uA,30uA, 3uA,300nA	Auto	Set the current measurement range of the insulation resistance. When in Auto, it will automatically switch to the corresponding range according to the change of the test value. The fixed range is fixed to the selected range.

Table 4-5

MeasRang: Select the appropriate current range for **IR**, calculate the current value according to the test voltage and the insulation impedance of the DUT, ie $I = U/R$, and then select the appropriate current range accordingly. Relationship between the current range and resistance measurement range is shown in table 4-6.

Current Range	Resistance Measurement Range	
	Set Voltage 50V~499V	Set Voltage 500V~5000V
10mA(3~10mA)	0.1MΩ~1MΩ	0.1MΩ~4.5MΩ
3mA(0.3~3mA)	0.5MΩ~4.5MΩ	3.0MΩ~15.0MΩ
300uA(30~300uA)	3.0MΩ~15.0MΩ	10.0MΩ~45MΩ
30uA(3~30uA)	10.0MΩ~45MΩ	35.0MΩ~450MΩ
3uA(0.3~3uA)	45MΩ~0.45GΩ	0.40GΩ~4.5GΩ
300nA(20~300nA)	0.40GΩ~4.9GΩ	4.0GΩ~50.0GΩ

Table 4-6

4.3.4 Pause Mode

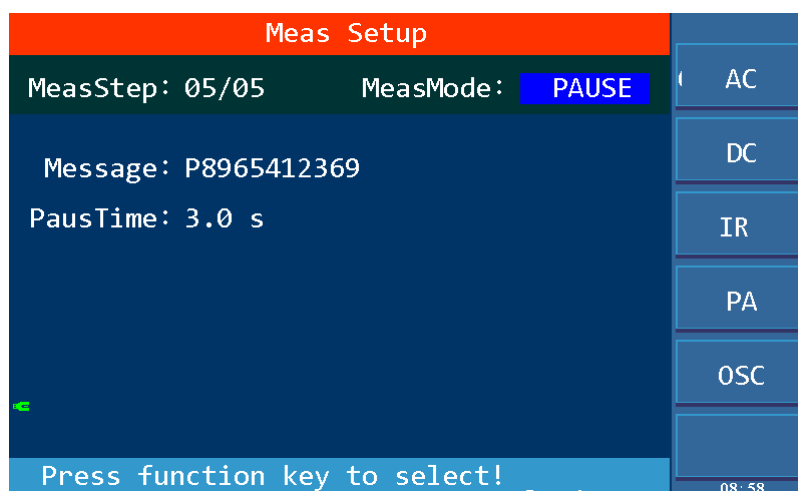


Figure 4-15 Pause Mode Setup

Message: message prompt string, you can enter English letters, Arabic numerals and [.] and [-], you can enter up to 16 characters.

PausTime: the action mode of setting the pause mode

- When set to continue test, the ending of the pause mode would be either the **【START】** key on the front panel is pressed, or the external **【START】** signal is retriggered.
- When set to 0.3~999.0s, if the set time finishes, the pause mode ends.

4.3.5 OSC Detection Mode Setup

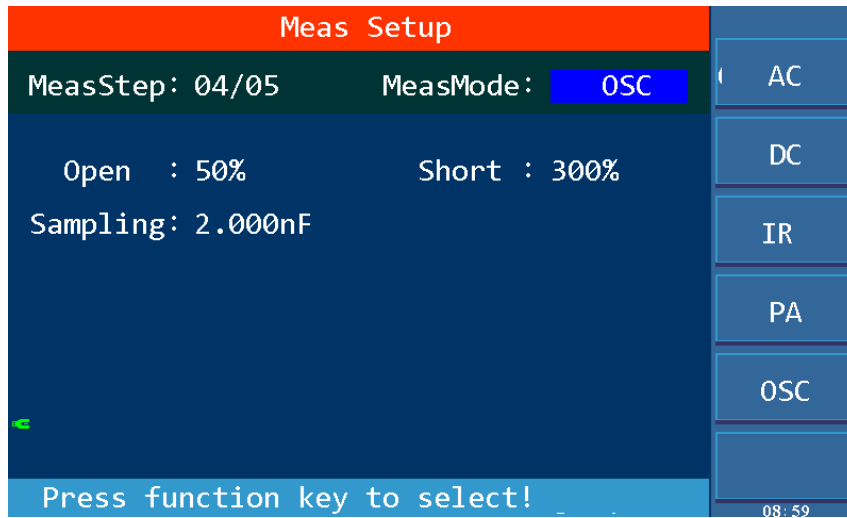


Figure 4-16 OSC Detection Setup

Set Up	Range	Default	Explanations
Open	10%~100%, Stepping 1%	50%	Set the conditions for judging the test result of open, expressed as a percentage of the test value and the sampling standard value.
Short	100%~500% 0 — CLOSE Stepping 10%	300%	Set the conditions for judging the test result of short, expressed as a percentage of the test value and the sampling standard value. 0 means Close, that is, no short circuit determination is made.
Sampling	0.001~40nF	10.0nF	Set the standard capacitor value for OSC check. You can enter a standard value by using the numeric keys, or you can obtain a value as a standard value by sampling.

Table 4-7

Sampling : Move the cursor to Sampling, as shown in Figure 4-17. Input the standard value by using numeric key, then press **[[ENTER]]** to confirm. This sampling can also be done by using **[[F1]]** key as shown in the figure. After pressing the **[[F1]]** key, the instrument enters the standard value sampling state, when sampling, the tester outputs an 600HZ frequency, 100V AC signal and the current flowing through the DUT is obtained in 1S. (There is voltage output when sampling, please pay attention to safety). The capacitance value displayed by the tester is not the actual capacitance value, but the sampled current value after impedance conversion, which should be similar to the actual installed capacitance value between the test terminals.

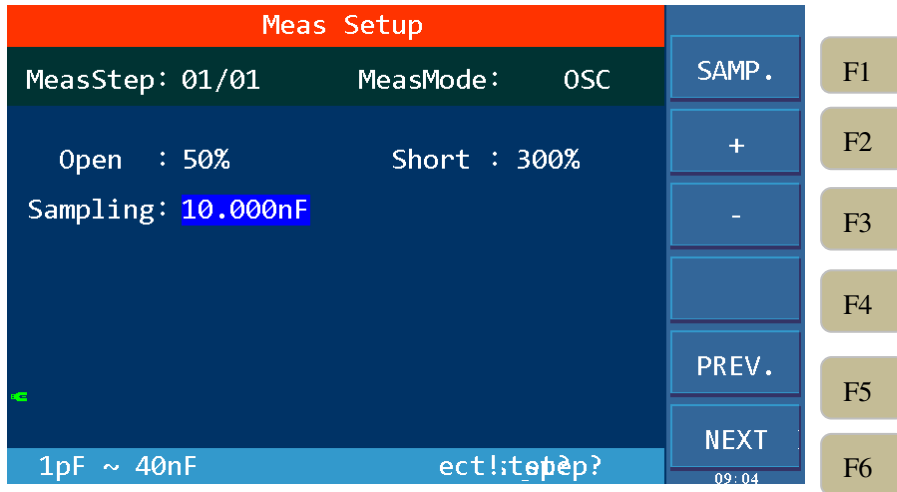


Figure4-17 Sampling Setup

4.4 TEST Setup

Operation Instructions:

1. Press [TEST] to enter the AC Test interface as shown in Figure 4-18.1.
2. Press F1 to offset. Press F3 and F4 key to display the main parameters of different test steps as shown in Figure 4-18.2, Figure 4-18.3, Figure 4-18.4 and Figure 4-18.5. F6 is LIST interface.

In the TEST interface, the high voltage can be started to measure the high voltage of the DUT, its test parameters must be set correctly in the setting interface in detail. After measurement starts, the center of the tester screen displays three data in large font. The real-time test data are displayed during the test, after the test is completed, if the [STOP] key is not pressed, then the previous test result is displayed.

See Figure 4-18.1 ~ Figure 4-18.5 for details.

The upper one is the high voltage output voltage, and the withstand voltage's unit is kilovolts (kV); The middle one is the test value, the withstand voltage testing shows current, unit is milliamps (mA), microamperes (uA), the insulation resistance shows resistance, unit is mega ohms (MΩ), GΩ (GΩ), OSC check shows capacitance, unit is nanometer (nF);

The lower one is time, including ramp time, dwell time (DC withstand voltage testing only), measurement time, fall time, and interval time between steps. There is a corresponding time prompt in the information prompt bar, indicating time type that this time belongs to. If the user sets the test time to 0, that is to continue test, the test time shown is the time after entering the test state, and this count will count from zero when the count is greater than 65535. If "FAIL" is not reported, the test status must be exited by pressing "STOP". Unit is seconds (S).

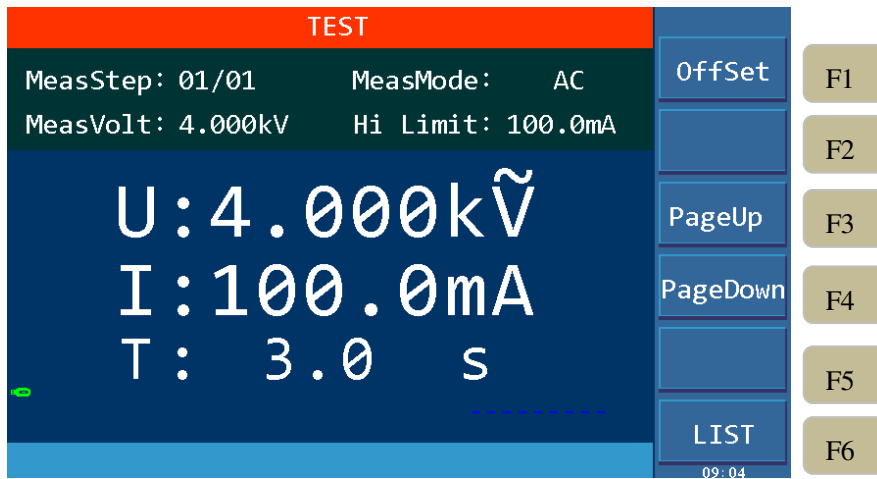


Figure 4-18.1 AC Test Interface

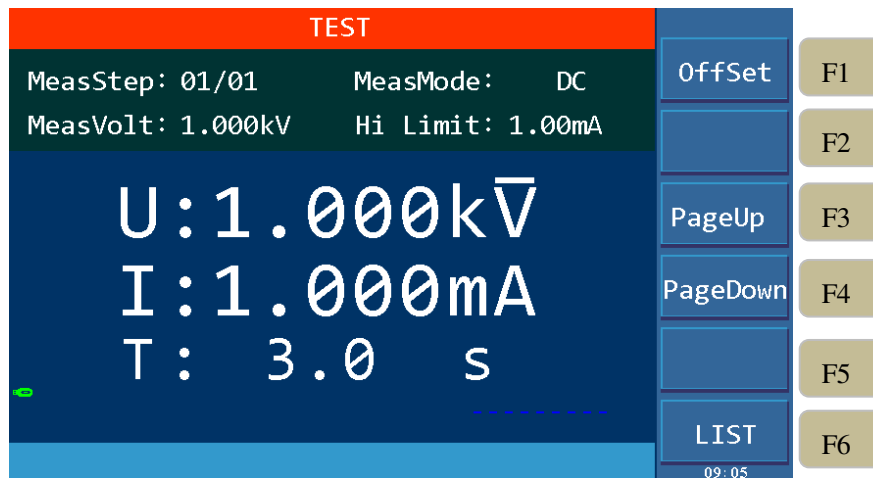


Figure 4-18.2 DC Test Interface

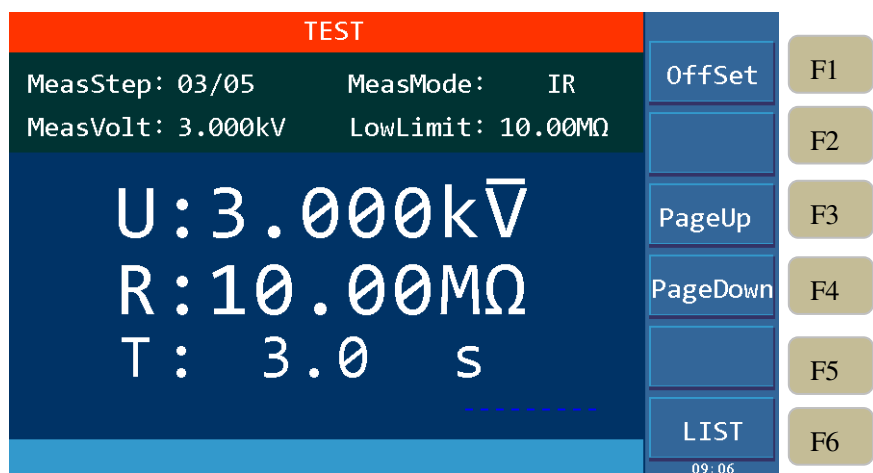


Figure 4-18. 3 IR Test Interface

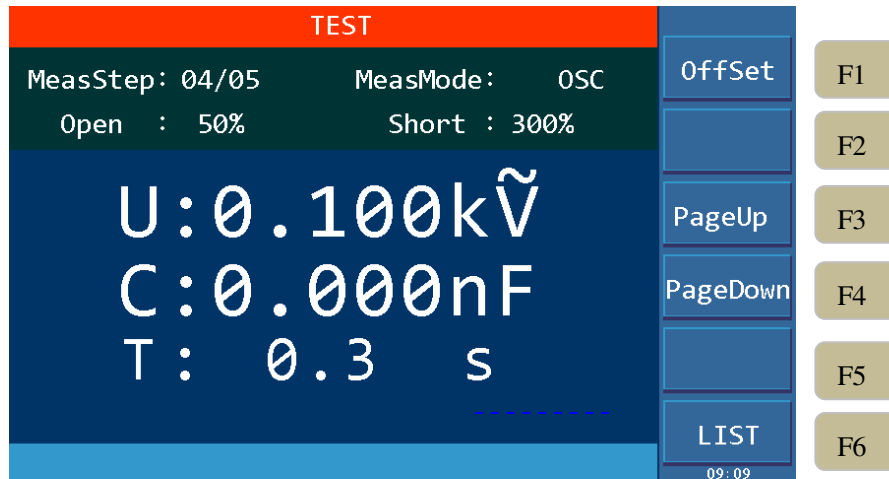


Figure 4-18.4 OSC Test Interface

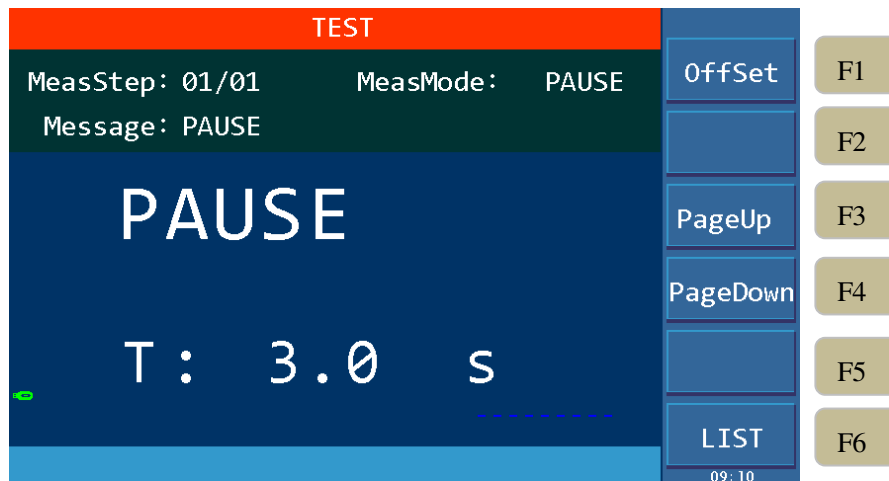


Figure 4-18.5 PAUSE Mode Interface

4.4.1 OFFSET

Before testing, due to the change of working environment and position of the test cable, there may be some base numbers when the tester is in no-load test. For some customers who pursuing accurate measurement can conduct offset in TEST interface. The specific steps are as follows:

1. Remove the DUT from the test cable or fixture first and then set up the test conditions in the SETUP interface.
2. Press \llbracket TEST \rrbracket key to enter TEST interface, press F1 to offset. The tester starts to measure the leakage current of the test cable and display the current, use the present test value as the zero value.
3. After pressing F1 offset key, the DANGER indicator flashes and the voltage output time is 5S. (When the set test time is larger than 5S, if the time is less than 5S, the output voltage time is according to the set test time.)

4.4.2 List Display and Step Display

In addition to the original step display interface, this tester also adds a list display interface, which can display multi-step parameters. In the tester TEST interface, press the F6 key to switch the interfaces.

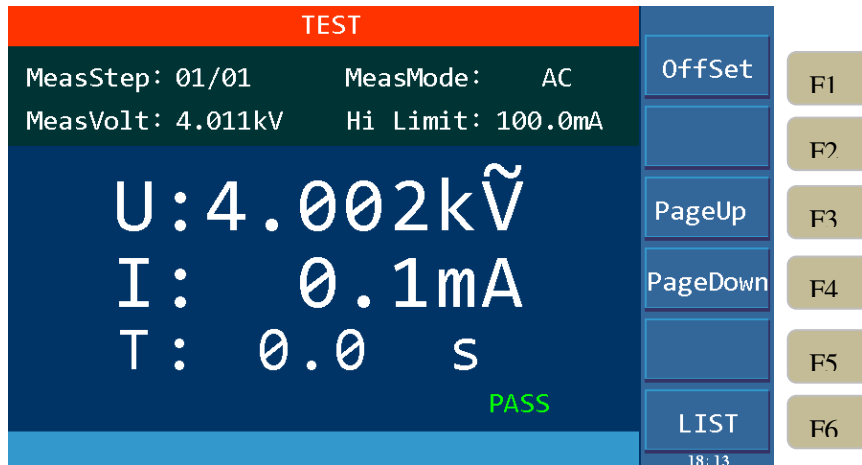


Figure 4-19 STEP Display Interface

On the STEP display page, in addition to test steps, test mode information, there is also large font shows the set voltage and current high limit before starting the test. After pressing **【START】** to start the test, the first line of the large font shows the test value of output voltage, the second line shows the actual measured value of the current, and the third line is time. Test result is shown in the lower right corner. As shown in Figure 4-19.

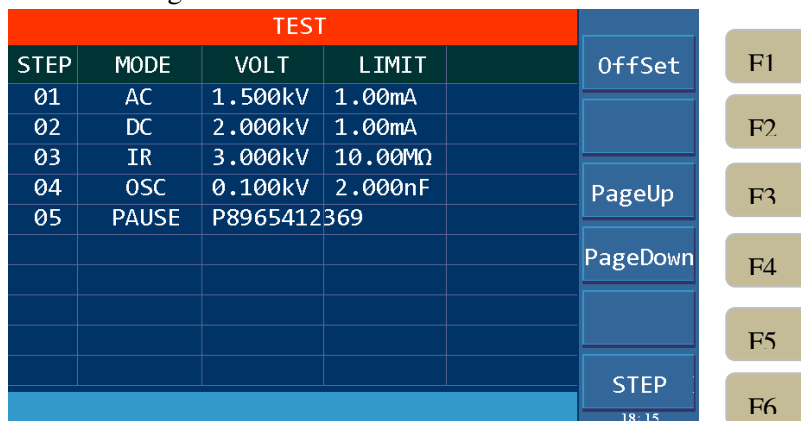


Figure 4-20 LIST Display Interface

On the LIST display page, the first column is the test STEP, the second column is the test MODE, the third column is the VOLT (test set value), the fourth column is the set LIMIT, and the fifth column is the test results. After pressing **【START】** to start the test, the third column shows the present voltage test value, and the fourth column shows the actual measured current value or resistance value. As shown in Figure 4-20.

4.5 Test Methods

4.5.1 Offset of the Test Cable / Fixture

1. First remove the DUT from the test cable or fixture and confirm the set test conditions.
2. Press **〔TEST〕** to enter the test interface, press F1 offset key, the tester starts to measure the leakage current of the test cable and display the current and the test value is used as the zero value.
3. After pressing F1 offset key, the DANGER indicator flashes, the voltage output time is 5S (when the test time is set to be greater than 5S), if the test time is less than 5S, the output voltage is set according to the set test time.

4. DANGER light stops flashing after the end of offset.

4.5.2 Sampling Operation of Standard Capacitor

1. Before Open Short-Circuit check mode (OSC) testing or testing a new capacitor DUT or replacing a capacitor DUT, the standard capacitance value must be sampled first, or input a capacitor value as the standard value.
2. Offset on the TEST interface first before sampling the standard capacitor value. Each time the test cable or fixture is replaced, the offset must be performed to ensure the accuracy of the test.
3. When sampling the standard capacitance value, first use the standard sample of the capacitor to be tested as the DUT, and measure the capacitance value according to the sampling in OSC mode as the standard value for testing.
4. When performing the open short circuit check mode (OSC) test, the condition to judge the OPEN/SHORT is according to the sampled capacitance value.

4.5.3 Method of Connecting the DUT

1. First make sure that the tester has no voltage output and the DANGER indicator not lit nor flashing.
2. Then connect the test cable for low potential to the RTN/LOW or HV2 terminal of the tester, short circuit this test cable to the high voltage test cable and insert the high voltage test cable into the high voltage output terminal HV1 to make sure that there is no high voltage output.
3. Finally, connect the test cable of low potential (RTN/LOW or HV2) to the DUT first and then connect the test cable of high potential HV1 to the DUT.

4.5.4 Test Procedures

4.5.4.1 AC/DC/IR Test Procedures

1. Connect the DUT correctly according to the connection method of the DUT.
Press [TEST] key to enter the measurement interface, at this time, the pending test steps that have been set up are displayed, the small font shows the test step, test mode and test voltage, withstanding voltage test shows current upper limit value, insulation resistance shows resistance lower limit value. The middle large font shows the set voltage, current and time.
2. Press the [STOP] key to prepare for the test.
Press the [START] key to start the test, when this key is pressed, there will be a high voltage output, and the DANGER light flashes. **Warning: At this time, it is in the test state and there is a large voltage output.** The first line in large font shows the actual measured high voltage output value, the second line is the measured current value or resistance value, the third line is the corresponding time, there is message prompt in the lower left corner.
3. Pass Judge
When all the test modes are completed and the test result in the lower right corner displays PASS, it is judged as pass and cut off the high voltage output, the rear panel also gives a pass signal, the buzzer simultaneously acts.
4. Fail Judge

If the test value is detected abnormal, it is judged as fail and immediately cuts off the output. The rear panel gives a fail signal and the buzzer operates simultaneous, and it will continue until the **【STOP】** key is pressed. The test result in the lower right corner displays FAIL.

Explanation Table for Fail:

Displayed Test Result	Meaning
>High Limit	Test value is greater than the set high limit.
< Low Limit	Test value is smaller than the set low limit.
ARC FAIL	Current arc exceeds high limit.
GFI FAIL	Ground failure interrupt
SHORT FAIL	The instrument output current is greater than the internal set current limit. This limit cannot be changed, the AC test has a short-circuit current of 200 mA and a DC test of 40 mA.
Table 4-8	

In any case, if you want to abort the test output, just press the **【STOP】** key.

4.5.4.2 OSC Test Procedures

1. Connect the DUT correctly according to the connecting method of the DUT.

Press the **〔TEST〕** key to enter the Test interface, at this time, the pending test steps that have been set up are displayed, the small font shows the test steps, the test mode, and the open circuit judge percentage and the short circuit judge percentage. The large font in the middle shows the set voltage, capacitance value and time.

2. Press the **【STOP】** key to prepare for the test.

Press the **【START】** key to start the test, when this key is pressed, there will be a high voltage output, and the DANGER light will flash. The first line of the large font shows the actual measured high voltage output value, and the second line is the measured capacitance value, the third line is the corresponding time, there is a message prompt in the lower left corner.

3. Pass Judge

When all the test modes are done and the test result in the lower right corner displays PASS, it is judged as pass, and cut off the high voltage output, the rear panel also gives a pass signal, the buzzer simultaneously acts.

4. Failure Judge

If the test value is detected abnormal, it is judged as fail and immediately cuts off the output. The rear panel gives a failure signal and the buzzer operates simultaneous, and this will continue until the **【STOP】** key is pressed. The test result in the lower right corner displays FAIL.

Explanation Table for Fail

Displayed Test Result	Meaning
OPEN	Open capacitor, the percentage of capacitance test value and sampling standard value is smaller than the set percentage of open circuit judge.
SHORT	Short capacitor, the percentage of capacitance test value and sampling standard value is greater than the set percentage of short circuit judge.
Table4-9	

In any case, if you want to abort the test output, just press the **【STOP】** key.

The capacitance value displayed by the tester is not the actual capacitance value, but the value of the sampled current after impedance conversion, which should be approximate to the actual capacitance value installed between the test terminals.

Take a 3-coil inductor as an example: the capacitance between 1-2 is about 300P, 1-3 is about 200P, 2-3 may be short-circuited. First confirm the open circuit value, do not connect the DUT, sampling: $C_s=100P$; Then confirm the standard value, and connect the DUT multiple times to record the sampling Data range: $C_s=350P\sim 450P$; Finally confirm the short circuit value, short circuit 2-3, multiple sampling data range: $C_s = 550P \sim 650P$.

Parameter setting calculation:

- 1) Assume $C_s=400P$
- 2) OPEN value: the low limit is $100P/400P=25\%$, the high limit is $350P/400P=88\%$, and it is recommended to take 60%;
- 3) SHORT value: the low limit is $450P/400P=112\%$, the high limit is $550P/400P=138\%$, and it is recommended to take 125%.

4.6 Voltage Breakdown Test

4.6.1 Brief description

The voltage breakdown test is a destructive test of the ultimate ability of the DUT in the real test.

4.6.2 Operation instruction

1. On the non-TEST page, ie. SYSTEM or SETUP interface, press **【STOP】** to enter the interface shown in Figure 4-21.
2. Press the F1 key , select the test mode of BDV(Break Down Voltage), press the **【TEST】** key to enter the test interface, as shown in Figure 4-22.
3. Press F3 or F4 to select the NormStep and VoltStep, use the direction keys and the scroll wheel to move the cursor to the test parameter item to be set. The corresponding operations can be performed through the F1~F6 keys and the numeric keypad.
4. Start the test after setting is completed. As shown in Figure 4-23.

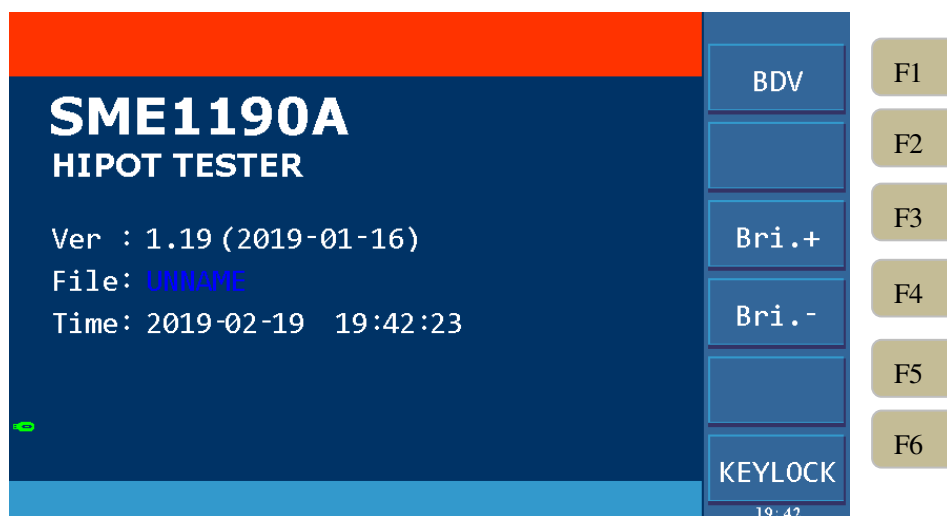


Figure 4-21



Figure 4-22

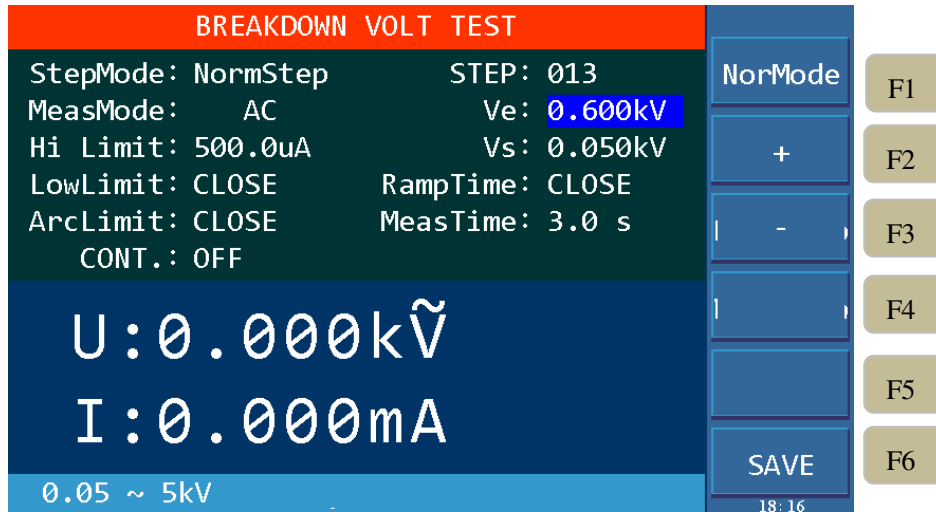


Figure 4-23

Parameters Function Explanation:

Item	Range	Default	Explanation
Step Mode	Norm Step/Volt Step	Norm	Select to step according to the test step or test voltage.
STEP	2~999	2	Only for the NormStep mode, set the voltage rise steps.
Step Volt	0.005~0.5kV	0.005kV	Only for the VoltStep mode, set the rising voltage value.
Meas. Mode	AC/DC	AC	Measurement mode selection: AC/DC.
Ve	0.05~5kV	0.05kV	Set voltage ending value.
Vs	0.05kV~Termination Voltage	0.05kV	Set voltage starting value.
Ramp Time	0~999,0--CLOSE	CLOSE	Set the rise time of each step.
Meas. Time	0.3~999s	3.0S	Set the test time of each step.
Hi Limit	AC: 0~100mA DC: 0~20mA	0.500mA 0.500mA	Set the high limit of leakage current.

Low Limit	AC: 0~High Limit Value DC: 0~High Limit Value 0—CLOSE	CLOSE CLOSE	Set the low limit of leakage current.
Arc Limit	AC: 0~20mA DC: 0~10mA 0—CLOSE	CLOSE CLOSE	Set the high limit of Arc.
CONT	ON/OFF	OFF	Set whether to continue the test when all the setup steps are completed.
Table 4-10			

4.7 File Storage

Operation Instructions:

1. Press **[FILE]** key to enter the file management interface, as shown in Figure 4-24.
2. Through the F1 key, F2 key to switch between internal files and external files.
3. Move the cursor to the file to be set by **[▲]**, **[▼]**, and perform the corresponding operation through F1~F6.

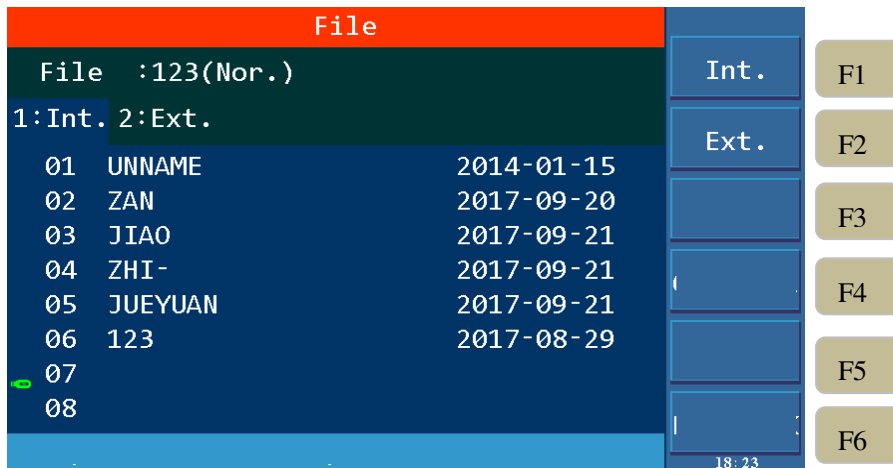


Figure4-24 Internal File Interface

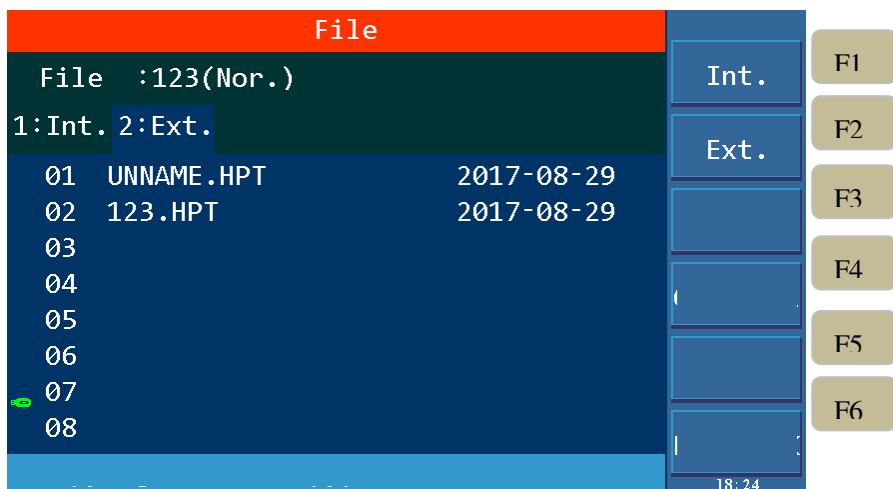


Figure4-25 External File Interface

Key	Function	Explanation
F1	New	Create a new file.
F2	Save	Save the currently loaded file.
F3	Load	Load the file as the current file.
F4	Copy All	Copy all files for batch processing.
F5	Copy	Copy internal files to U disk, copy U disk files to internal.
F6	Delete	Delete the current file.

Table 4-11

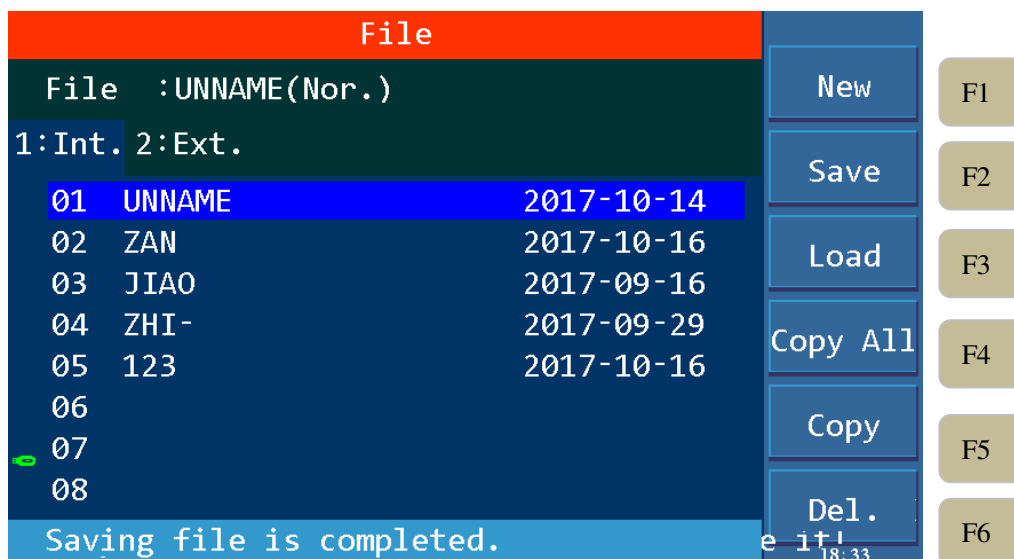


Figure 4-26 File Operation Interface

4.8 HANDLER

4.8.1 Brief Introduction

The tester provides a versatile HANDLER interface, which is primarily used for the output of test results. When the tester is used in an automated test system, the interface provides a contact signal to the system and a test result output signal. Signals can be divided into two broad categories: internal output signals and external input signals. The internal output can be divided into test result output and contact signal output. Internal signal output specifications: DC 24V, 20~40mA; External signal output specifications: DC 3V~26V (HIGH), 10mA±4mA.

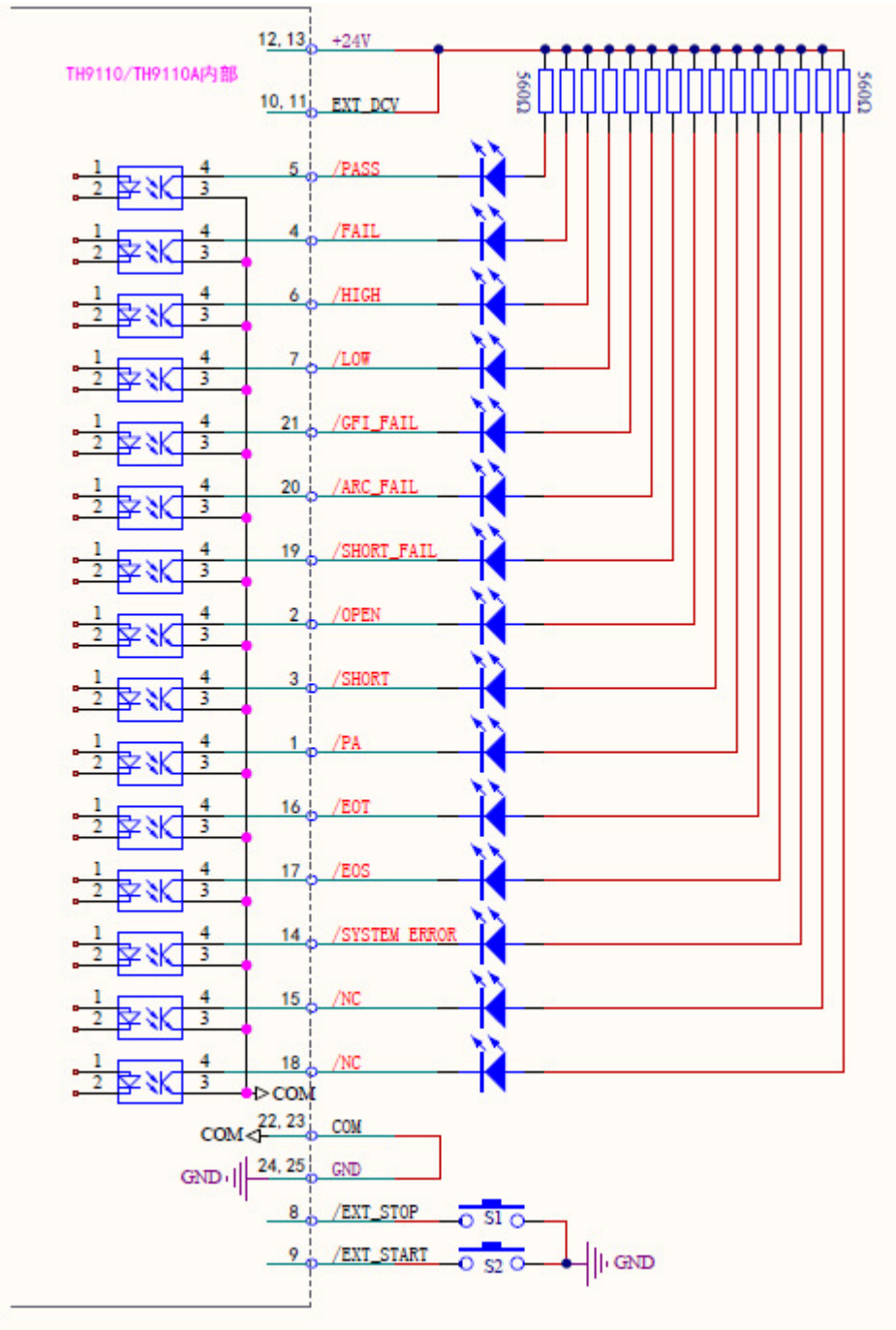
Interface Pin Description:

Pin#	Signal Name	Input/Output	Description
2	/OPEN	Output	OSC OPEN output, used together with /PASS and /FAIL
3	/SHORT		OSC SHORT output, used together with /PASS and /FAIL
4	/FAIL		The output is LOW when the test result is FAIL, at this time /HIGH, /LOW, /ARC_FAIL, /GFI_FAIL and /SHORT_FAIL signal will have output (LOW action).

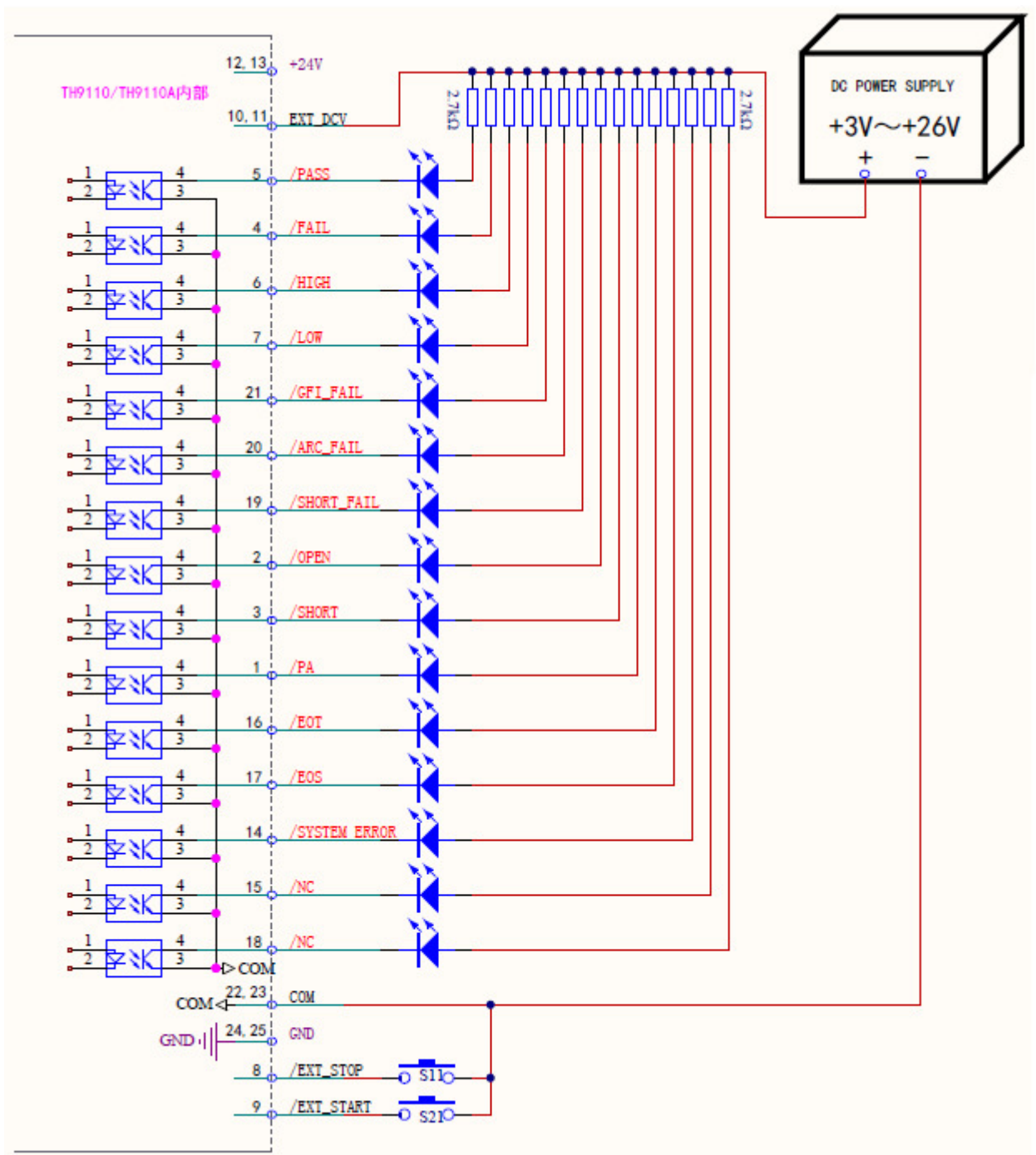
5	/PASS		The output is LOW when the test result is PASS, at this time /HIGH, /LOW, /ARC_FAIL, /GFI_FAIL and /SHORT_FAIL signal will not have output (all are HIGH).
6	/HIGH		Test result is HIGH FAIL, the output is LOW.
7	/LOW		Test result is LOW FAIL, the output is LOW.
19	/SHORT_FAIL		Test result is SHORT_FAIL, the output is LOW.
20	/ARC_FAIL		Test result is ARC_FAIL, the output is LOW.
21	/GFI_FAIL		Test result is GFI_FAIL, the output is LOW.
15,18	NC	Output	Reserved, not used yet.
1	/PA	Output	When the test is started, this signal is LOW, after each PA mode, the relationship between the /PA signal and the COM terminal is changed to HIGH or LOW once.
14	/SYSTEM_ERROR	Output	Internal system error signal output pin, when the output is LOW, it indicates that the system generates an internal error.
16	/EOT	Output	When this signal is HIGH, it means the test is in process; when this signal is LOW, it means the test is finished or in standby.
17	/EOS	Output	When this signal is HIGH, the test step (STEP) is currently in process; When this signal is LOW, it means that the current test step (STEP) has ended without entering the next step or all test steps have ended.
12,13	+24V	Output	Internal DC voltage output
24,25	GND	—————	Low voltage side of internal voltage output
22,23	COM	—————	Low voltage side of the input/output signal
10,11	EXT_DCV	Input	+VEXT: External DC voltage input, input voltage range is +3V~+26V.
8	/EXT_STOP	Input	External STOP signal input, act when signal status is LOW
9	/EXT_START	Input	External START signal input, act when signal status is LOW
Table4-12			

4.8.2 External Control Line Legend

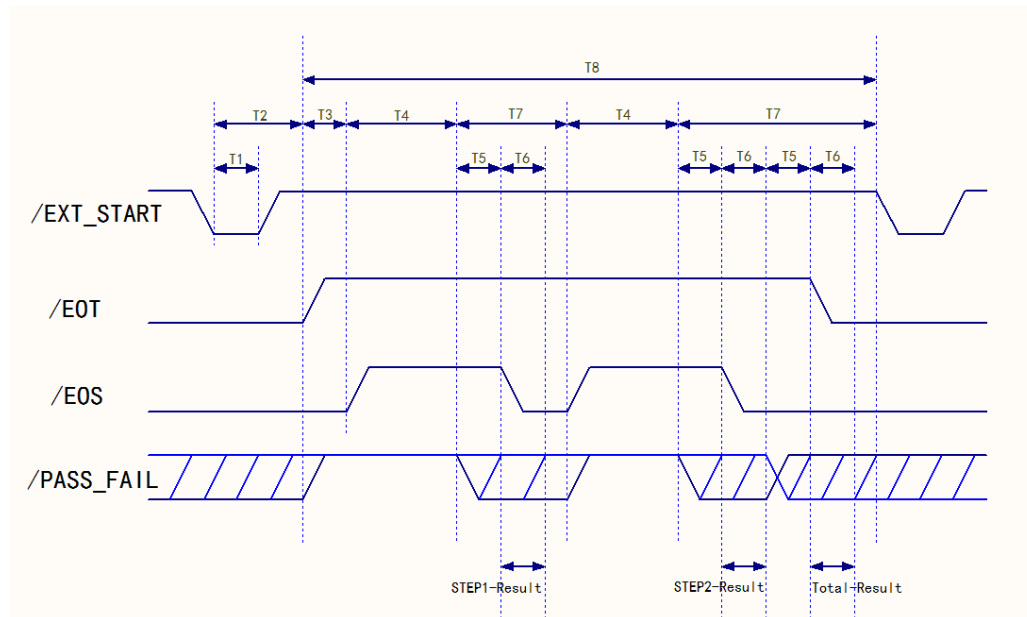
Take the Internal Power Supply as an Example



Take the External Power Supply as an Example



Timing Diagram



Timing Diagram——Take 2 test steps as an example

Time	Range	Explanations
T1	>10mS	Internal trigger signal(/EXT_STRAT) continue time, need about >10mS
T2	<20mS	External trigger signal(/EXT_STRAT) time needed from start to /EOT signal is cleared, <20mS
T3	-----	Time setup for the trigger delay
T4	-----	Time needed for each test steps (STEP)
T5	>10mS	/PASS_FAIL signals, stable waiting time, >10mS
T6	>10mS	/EOS continue time, result output time or /EOT signal stable waiting time, >10mS
T7	-----	Time need for each test steps completion
T8	-----	Time needed for the test files (FILE)

Chapter 5 Interface and Communication

The instrument can use RS232C serial interface (standard) or GPIB parallel interface (optional) for data communication and remote control without instrument panel, but they can not be used at the same time. They have the same programming commands but use different hardware configurations and telecommunication protocols. This chapter describes how to use the interface, for details on the use of interface commands, see Chapter 5.2.

5.1 Remote Control Interface

5.1.1 RS232C Interface Instruction

The RS232C interface provided by the tester can be used to communicate with a computer. The tester provides rich program-controlled commands. Through the RS232C interface, the computer can perform almost all functions on the tester panel.

5.1.1.1 Brief introduction of RS232C Interface

At moment the widely used serial communication standard is the RS-232 standard, which can also be called the asynchronous serial communication standard, which is used to realize data communication between a computer and a computer, and between a computer and a peripheral device. RS is the English abbreviation of “Recommended Standard”, 232 is the standard number. This standard is officially published by the Electronic Industries Association (EIA) in 1969, it stipulates that one bit is transmitted by one data line at a time.

Most serial port configurations are usually not strictly based on the RS-232 standard: Use a 25-core connector on each port (IMB AT uses a 9-core connector). The most commonly used RS-232 signals are shown in the table below:

Signal	Symbol	25-core connector pin #	9-core connector pin#
Request to Send	RTS	4	7
Clear to Send	CTS	5	8
Data Set Ready	DSR	6	6
Data Carrier Detect	DCD	8	1
Data Terminal Ready	DTR	20	4
Transmit Data	TXD	2	3
Receive Data	RXD	3	2
Grounding	GND	7	5

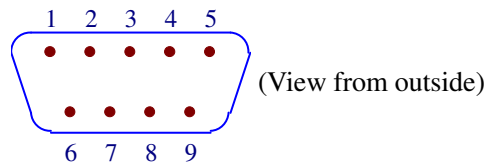
Like most serial ports in the world, the serial interface of this tester is not strictly based on the RS-232 standard, but only provides a minimal subset. As shown in the following table:

Signal	Symbol	Connector Pin#
Transmit Data	TXD	3
Receive Data	RXD	2
Grounding	GND	5

This is the most easy and cost effective way to use serial ports communication.

①Note: The serial port pin definition of this tester is basically the same as the pin definition of the standard 9-core RS232C connector.

The RS232C connector of this tester uses a 9-core pin type DB socket, and the pin sequence is as shown below:



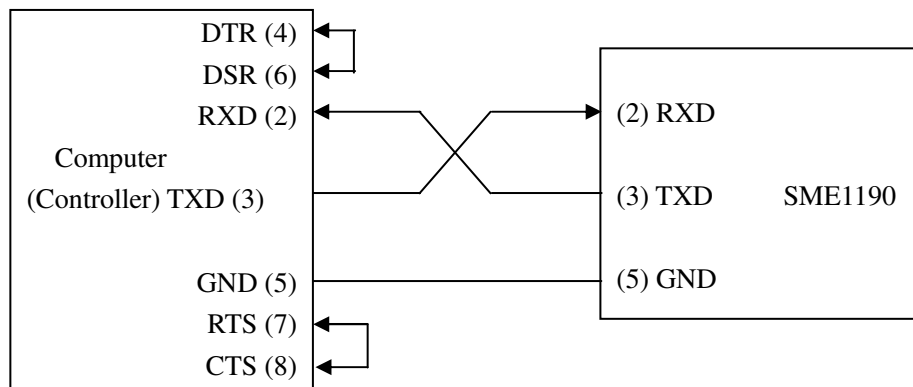
Direct connection to the standard DB 9-core hole type plug.

⚠Warning: To avoid electrical shock, turn off the power before plugging or unplugging the connector;

⚠Warning: Do not short-circuit the output terminals or short-circuit the chassis to avoid damage to the device.

5.1.1.2 Communicating with a Computer

- The tester is connected to the computer as shown:



As can be seen from the above figure, the pin definition of this tester is the same as that of the 9-core connector serial interface pin used by the IMB AT compatible machine. Users can use the double-core shielded cable to make three-wire connection cable according to the diagram (the length should be less than 1.5m) or purchase the serial interface cable between the computer and the instrument from our company or directly purchase the standard DB9 core cable (cross line).

When making the connection cable, be careful to short pin 4 and 6, pin 7 and 8 on the computer connector.

- When communicating with the computer through the serial port, you should first set up the bus mode of the tester. The operation sequence is as follows:

Press the **SYSTEM** menu button → (F3 soft key) → direction key to move the cursor to the port format → **RS232C** soft key.

- Serial port main parameters

Transfer Method	Full-duplex asynchronous communication with start and stop bits
Baud Rate	9600 bps/19200bps/38400bps/115200bps
Data Bit	8 BIT or 7BIT
Stop Bit	1 BIT or 2BIT
Parity Check	No Parity/Odd Parity/Even Parity
Terminator	NL (line break, ASCII code 10)
Contact Method	Software contact
Connector	DB9 Core

- Software Protocol

Since the hardware communication is not used on the RS232 interface, in order to reduce the possibility of data loss or data error in the communication, the tester uses the character echo method for software communication. Please refer to the followings when programming computer communication software:

- 1) The command string syntax and format are described in Chapter 5.2 “Serial Port Commands Instruction ”
- 2) The command sent by the host is transmitted in ASCII code, the NL (ie, newline character, ASCII code 10) is used as the terminator, the tester starts executing the command string after receiving the terminator.
- 3) The instrument will send the character back to the host immediately after receiving one character. The host should continue to send the next character after receiving the return character. If you do not receive the returned characters, there may be factors:
 1. Serial port connection failure.
 2. Check that the RS232 port function is enabled.
 3. The tester is executing a bus command and is temporarily unable to respond to serial acceptance. At this point, the last sent character is ignored by the tester, if you want to ensure the integrity of the command string, the host should resend the unreturned characters.
- 4) The tester sends information to the host only in the following two cases:
 1. The command character of the host is received normally and the character is loopback.
 2. Execute the query command to send the query result to the host.
- 5) Once the tester executes the query command, the query result will be sent immediately, regardless of whether the current command string has been completely executed. Therefore, there can be multiple queries in a command string, but the host must have a corresponding number of read results. This protocol recommends that only one query be included in a single command string.
- 6) The result of the query is sent in ASCII code string, with NL (ie. newline, ASCII code 10) as the terminator.
- 7) When the tester sends the query result, it is sent continuously (interval is about 1ms), and the host should be in the state of accepting data, otherwise, data loss may occur.

- 8) Once the host generates the query, please ensure that all query results are read (once NL is received, meaning end) to avoid the conflict between the query and the loopback; similarly, the host should also read all loopback characters before reading the query result.
- 9) For some bus commands that take a long time to complete, such as offset, the host should actively wait for, or respond to the user's keyboard input confirmation to synchronize the execution of the previous command, to avoid the next command being ignored or errored during command execution.
- 10) Communication software programmed with DOS application software should run under the pure DOS environment supporting serial port. If it is running under WINDOWS, it may cause errors due to different management methods of serial port.

- Serial Interface Program Example

The below example is a communication program written in C language and running in a pure DOS environment, the main function can be used by the user to expand the communication function arbitrarily, while other sub-functions illustrate how to use the serial port for input and output of the string.

```
#define PORT 0
#include "dos.h"
#include "stdio.h"
#include "stdlib.h"
#include "ctype.h"
#include "conio.h"

void port_init( int port,unsigned char code );
int check_stat( int port );          /* read serial port state(16bit) */
void send_port( int port,char c );  /* send a character to serial port */
char read_port( int port );         /* receive a character from serial port */
void string_wr( char *ps );         /* write a string to serial port */
void string_rd( char *ps );         /* read a string from serial port */
char input[256];                    /*
quary receive bufer */

main()
{ port_init( PORT,0xe3 );/* initialize serial port:baud = 9600,no verify,1 bit stop,8 bit data */

  string_wr( "trig:sour bus;*trg" );
  string_rd( input );
  printf( "\n%s",input );

  string_wr( "freq 10khz" );
  string_wr( "func:imp:type rx;:func:smon on" );
  string_wr( "voltage:level 500mv" );
}

/* write string to serial port */
void string_wr( char *ps )
```



```

{ char c;
  int m,n;
  while( check_stat(PORT) & 256 ) read_port( PORT );/* read data until null */
  for( ;*ps; )
  { c = 0;
    for( m = 100;m;m-- )
    { send_port( PORT,*ps );
      for( n = 1000;n;n-- )
      { delay( 2 ); /* wait about 2ms, use dos.h libray funtion */
        if( kbhit() && ( getch() == 27 ) ) /* if escape key keypress */
        { printf( "\nE20:Write Canceled!" );
          exit(1);
        }
        if( check_stat(PORT) & 256 )
        { c = read_port( PORT );
          break;
        }
      }
    }
    if( n ) break;
  }
  if( c == *ps ) ps++;
  else
  { printf( "\nE10:Write Echo Error!" );
    exit(1);
  }
}
send_port( PORT,'\n');/* send command end symbol */
delay( 2 );
while( !(check_stat(PORT) & 256) );
read_port( PORT );
}

/* read string from serial port */
void string_rd( char *ps )
{ unsigned char c,i;
  for( i = 0;i < 255;i++ ) /* max read 256 characters */
  { while( !(check_stat(PORT) & 256) ) /* wait serial recieve ready */
    if( kbhit() && ( getch() == 27 ) ) /* if escape key keypress */
    { printf( "\nE21:Read Canceled!" );
      exit(1);
    }
  }

  c = read_port( PORT );
  if( c == '\n' ) break;
}

```

```

    *ps = c;
    ps++;
}
*ps = 0;
}

/* send a character to serial port */
void send_port( int port,char c )
{
    union REGS r;
    r.x.dx = port;          /* serial port */
    r.h.ah = 1;            /* int14 function1:send character */
    r.h.al = c;            /* character to be sent */
    int86( 0x14,&r,&r );
    if( r.h.ah & 128 )      /* check ah.7,if set by int86( 0x14,&r,&r ),mean trans error */
    { printf( "\nE00:Serial port send error!" );
      exit(1);
    }
}

/* read a character from serial port */
char read_port( int port )
{ union REGS r;
  r.x.dx = port;          /* serial port */
  r.h.ah = 2;            /* int14 function2:read character */
  int86( 0x14,&r,&r );
  if( r.h.ah & 128 )      /* if ah.7 be set,mean trans error */
  { printf( "\nE01:Serial port read error!" );
    exit(1);
  }
  return r.h.al;
}

/* check the status of serial port */
int check_stat( int port )
{ union REGS r;
  r.x.dx = port;          /* serial port */
  r.h.ah = 3;            /* int14 function3:read status */
  int86( 0x14,&r,&r );
  return r.x.ax;          /* ax.7 show serial operation, ax.8 show serial recive ready */
}

/* initialize the serial port */
void port_init( int port,unsigned char code )

```

```

{ union REGS r;
  r.x.dx = port;      /* serial port */
  r.h.ah = 0;        /* int14 function0:initial serial port */
  r.h.al = code;     /* initialization code */
  int86( 0x14,&r,&r );
}

```

5.1.2 GPIB Interface Instruction

5.1.2.1 GPIB BUS

The IEEE488 (GPIB) universal parallel bus interface is an internationally accepted intelligent instrument bus interface standard. IEEE is the English abbreviation of Institute of Electrical and Electronics Engineers, 488 is the standard number. Through this interface, it can communicate with a computer or other intelligent device, and can easily form an automatic test system together with other test instruments. Multiple test instruments can be connected simultaneously on the same bus. For this tester, it adopts the IEEE488.2 standard, and the interface board is an option. The control command system is open, and the user can use the computer operation interface provided by the tester, or can program the system according to the control command to achieve the purpose. The control command system supports most of the functions of the tester, that is to say, almost all functions of the tester can be operated on a controlled computer to realize the remote control of the tester.

When using tester's GPIB system, the following points should be noted:

- The total cable length of a bus system should not exceed 2 meters and the product of the total number of connected test equipment, and the total length of the cable is no more than 20 meters.
- Maximum 15 test equipment can be connected on the same bus at the same time.
- There is no restriction on how the cables are connected together, but it is recommended to stack only 4 back connectors on any test equipment.

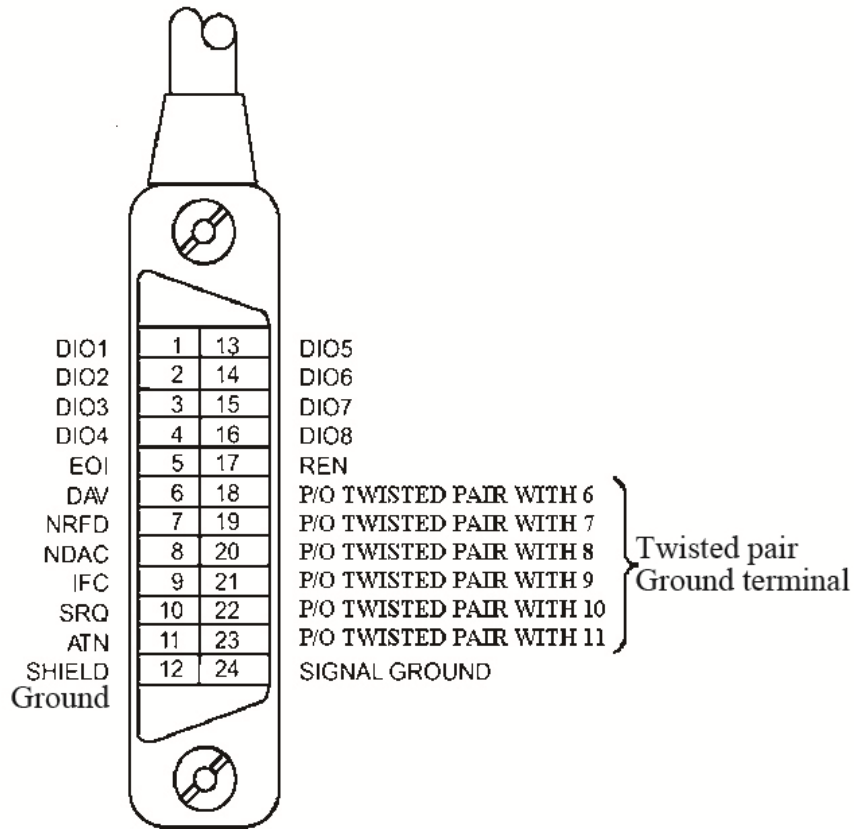


Figure5-1 GPIB Connector/Pin Structure Diagram

GPIB Cable Connection Method #1:

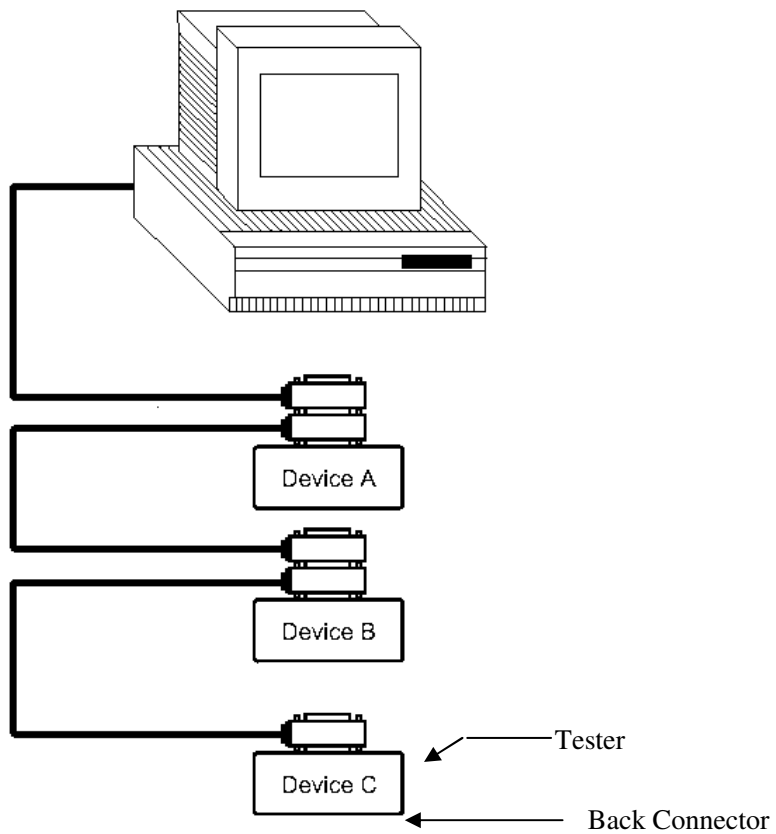


Figure5-2 Double Back Connector Staking

GPIB Cable Connection Method #2:

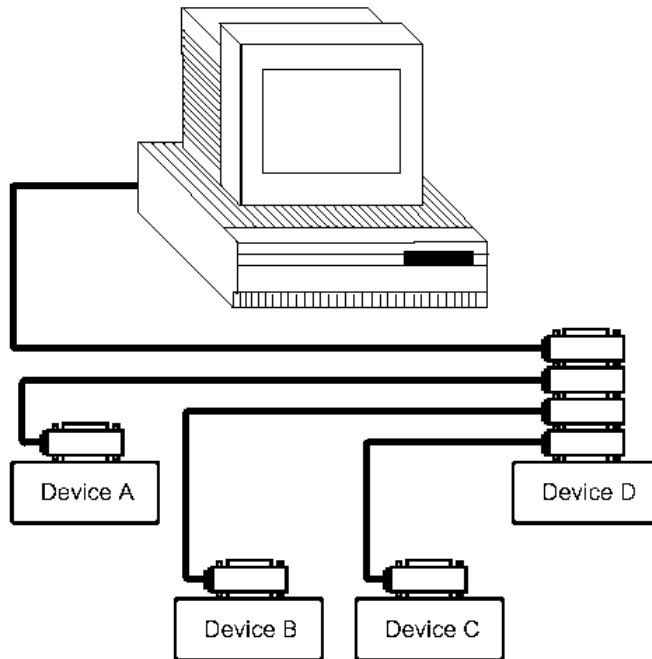


Figure 5-3 Four-Back Connector Stacking

5.1.2.2 GPIB Interface Function

This tester provides most of the general functions of GPIB except the controller, see the following table:

Code	Function
SH1	Support all data source contact functions
AH1	Support all digital panel meter contact functions
T5	Basic talk function; Talk only function; Talking cancelled when MLA; Do not support serial roll call
L4	Basic listen function; Listen cancelled when MTA; No listen only function
RL1	Remote/Local function
DC1	Device clearance function
DT1	Device trigger function
C0	No controller function
E1	Open-collector drive

5.1.2.3 GPIB Address

The GPIB of this tester is addressed by single address, no secondary address, 0-30 can be used as the GPIB address, the factory default address is 1, the address value can be automatically saved in

the non-volatile memory. The address setting is as below.

Press **SYSTEM** menu key → (**F3** soft key) → direction key to move the cursor to port format → **GPIB** soft key → direction key to move the cursor to the address number → numeric keypad input address.

5.1.2.4 GPIB Bus Function

The tester can respond to the following GPIB bus commands:

- Interface Clear (IFC)
- Device Clear (SDC or DCL)

After receiving this command, the tester will clear the input and output buffers, and the GPIB interface is in the ready state.

- Local Control (GTL)

This command returns the tester to local control and the keys on the panel are active.

- Local Lock (LLO)

This command makes all the keys on the panel inoperable.

Local Lock can be released after executing the "Local Control" command.

- Remote Control (RMT)

5.2 Serial Port Commands Instruction

Brief Description of the Command Format:

1. The tester commands only describe the actual characters received or sent.
2. Command characters are all ASCII characters.
3. The data "<???" of the command is an ASCII string. The default format of the system is integer or floating point number. The default data unit does not appear in the commands.
4. The command end must have a command end tag, and the default end tag is:
 - a) NL: new line, an integer of 10 (0x0A). An identifier for the end of a command, without this, the tester does not resolve the command.
 - b) ^END: EOI (end) signal of IEEE-488 bus.

Example of Multiple Commands to Simplify Sending:

```
FUNC:SOUR:STEP_1:CAL_0_1500_0_0.01_0.005_0.01_0.005_0_10_0_
0_0_11_0_50_200_HELLO!_0_0 (NL^END)
```

The numbers and characters separated by spaces after the CAL character respectively indicate: Test Mode (0: AC, 1: DC, 2: IR, 3: PA, 4: OSC); Test Voltage (50~6000); Test Frequency (0:50Hz, 1:60Hz); High Limit; Low Limit; Arc Limit; Ramp Time; Test Time; Fall Time; Ramp judgment (0: off, 1: on); Ramp Arc; OSC nominal capacitance (11nF); Insulation Resistance Range (0: automatic, 1~6:300nA~10mA); Open Circuit Standard (50%); Short Circuit Standard (200%); PA MESSAGE (HELLO!); DC Waiting Time; PA Time. Regardless of which test function is selected, all parameters need to be fixedly written.

Note: In the above example, "_" is a space tag.

5.2.1 SCPI Commands

Subsystem commands of SME1190/9110A:

- DISPlay •FUNction
- SYSTem •MMEM •FETC

5.2.2 DISPlay Subsystem Commands

DISPlay subsystem commands are mainly used to set the instrument display page.

The :DISPlay? query returns to the current page.

DISPlay: PAGE

Command Syntax: DISPlay:PAGE <page name>

<page name> are as follows:

TEST	Set the display page to: measurement display page (TEST)
SETUP	Set the display page to: Measurement Setting Page(SETUP)
SYST	Set the display page to: System Setting Page (SYST)
FILE	Set the display page to: File List Page (FILE)
MAIN	Set the display page to: Standby Home Page

Character? can query the current page.

--Example:

Set the display page to measurement display.

Command Syntax: DISP: PAGE TEST

Query syntax: DISPlay:PAGE?

Return format: TEST

Set measurement page display mode: 0, step mode; 1, list mode

Command Syntax: DISP:MODE 0

Query Syntax: DISP:MODE?

Return Format: 0

5.2.3 FUNction Subsystem Commands

5.2.3.1 FUNction Subsystem Commands

FUNction subsystem command is mainly used to set the test parameters of test function.

5.2.3.2 PROG Fuction Commands

FUNC:SOURce:STEP_<sn>:INS Add a new test project to the existing test plan (STEP).

FUNC:SOURce:STEP_<sn>:DEL In the existing test plan (STEP), delete the current test project.

FUNC:SOURce:STEP_<sn>:NEW Create an empty test programm to write a brand new test program.

5.2.3.3 AC Setup Function Commands

FUNC:SOURce:STEP:AC:VOLT To set / inquiry about the voltage for ACW test.

--Syntax:

Command message:

FUNC:SOUR:STEP <sn>:AC:VOLT<voltage>

Query message:

FUNC:SOUR:STEP <sn>:AC:VOLT?

--Data<sn>:

Data format: integer

Data range: 1~50

Data accuracy: 1

--Data<voltage>:

Data format: integer

Data range: 50~5000

Data accuracy: 1

Data unit: V

--Example:

Set the voltage for ACW test in STEP1 as 1000V.

Command message: FUNC:SOUR:STEP 1:AC:VOLT 1000

Query message: FUNC:SOUR:STEP 1:AC:VOLT?

Return value: 1000

FUNC:SOURce:STEP:AC:UPPC To set/inquiry about the UPPER current for ACW test.

--Syntax:

Command message:

FUNC:SOUR:STEP <sn>:AC:UPPC<current>

Query message:

FUNC:SOUR:STEP <sn>:AC:UPPC?

--Data<voltage>:

Data format: float

Data range: 0.001 ~ 120.000mA (voltage <4000V)

0.001 ~ 100.000mA (voltage >4000V)

Data accuracy: 0.001mA

Data unit: mA

--Example:

Set the current for ACW test in STEP1 as 1mA.

Command message: FUNC:SOUR:STEP 1:AC:UPPC 1

Query message: FUNC:SOUR:STEP 1:AC:UPPC?

Return message: 1.000

FUNC:SOURce:STEP:AC:LOWC To set /inquiry about the LOWER current for ACW test.

--Syntax:

Command message:

FUNC:SOUR:STEP <sn>:AC:LOWC<current>

Query message:

FUNC:SOUR:STEP <sn>:AC:LOWC?

--Data<current>:

Data format: float

Data range: 0~UPPER current (0 is OFF)

Data accuracy: 0.001mA

Data unit: mA

--Example:

Set the LOWER current for ACW test in STEP1 as 1mA.

Command message: FUNC:SOUR:STEP 1:AC:LOWC 1

Query message: FUNC:SOUR:STEP 1:AC:LOWC?

Return message: 1.000

FUNC:SOURce:STEP:AC:TTIM To set /inquiry about the TEST time for ACW test.

--Syntax:

Command message:

FUNC:SOUR:STEP <sn>:AC:TTIM<time>

Query message:

FUNC:SOUR:STEP <sn>:AC:TTIM?

--Data<time>:

Data format: float

Data range: 0, 0.3~999.0s (0 is OFF)

Data accuracy: 0.1s

Data unit: s

--Example:

Set the TEST time for ACW test in STEP1 as 1s.

Command message: FUNC:SOUR:STEP 1:AC:TTIM 1

Query message: FUNC:SOUR:STEP 1:AC:TTIM?

Return message: 1.0

FUNC:SOURce:STEP:AC:RTIM To set /inquiry about the RISE time for ACW test.

--Syntax:

Command message:

FUNC:SOUR:STEP <sn>:AC:RTIM<time>

Query message:

FUNC:SOUR:STEP <sn>:AC:RTIM?

--Data<time>:

Data format: float

Data range: 0~999.9s (0 is OFF)

Data accuracy: 0.1s

Data unit: s

--Example:

Set the RISE time for ACW test in STEP1 as 1s.
Command message: FUNC:SOUR:STEP 1:AC:RTIM 1
Query message: FUNC:SOUR:STEP 1:AC:RTIM?
Return message: 1.0

FUNC:SOURce:STEP:AC:FTIM To set /inquiry about the FALL time for ACW test.

--Syntax:

Command message:

FUNC:SOUR:STEP <sn>:AC:FTIM<time>

Query message:

FUNC:SOUR:STEP <sn>:AC:FTIM?

--Data<time>:

Data format: float

Data range: 0~999.0s (0 is OFF)

Data accuracy: 0.1s

Data unit: s

--Example:

Set the FALL time for ACW test in STEP1 as 1s.

Command message: FUNC:SOUR:STEP 1:AC:FTIM 1

Query message: FUNC:SOUR:STEP 1:AC:FTIM?

Return message: 1.0

FUNC:SOURce:STEP:AC:ARC To set /inquiry about the ARC upper current for ACW test.

--Syntax:

Command message:

FUNC:SOUR:STEP <sn>:AC:ARC<current>

Query message:

FUNC:SOUR:STEP <sn>:AC:ARC?

--Data<current>:

Data format: float

Data range: 0, 1.0~20.0mA (0 is OFF)

Data accuracy: 0.1mA

Data unit: mA

--Example:

Set the ARC upper current for ACW test in STEP1 as 1mA.

Command message: FUNC:SOUR:STEP 1:AC:ARC 1

Query message: FUNC:SOUR:STEP 1:AC:ARC?

Return message: 1.0

FUNC:SOURce:STEP:AC:FREQ To set /inquiry about the test frequency for ACW test.

--Syntax:

Command message:

FUNC:SOUR:STEP <sn>:AC:FREQ<frequency>

Query message:

FUNC:SOUR:STEP <sn>:AC:FREQ?

--Data<frequency>:

Data format: character

Data range: 50/60

Data unit: Hz

--Example:

Set the test frequency for ACW test in STEP1 as 50Hz.

Command message: FUNC:SOUR:STEP 1:AC:FREQ:50

Query message: FUNC:SOUR:STEP 1:AC:FREQ?

Return message: 50

5.2.3.4 Commands for DC Setup Function

FUNC:SOURce:STEP:DC:VOLT To set /inquiry about the voltage for DCW test.

--Syntax:

Command message: FUNC:SOUR:STEP <sn>:DC:VOLT<voltage>

Query message: FUNC:SOUR:STEP <sn>:DC:VOLT?

--Data<sn>:

Data format: integer

Data range: 1~50

Data accuracy: 1

--Data<voltage>:

Data format: float

Data range: 50~6000

Data accuracy: 1

Data unit: V

--Example:

Set the voltage for DCW test in STEP1 to 1000V

Command message: FUNC:SOUR:STEP 1:DC:VOLT 1000

Query message: FUNC:SOUR:STEP 1:DC:VOLT?

Return value: 1000

FUNC:SOURce:STEP:DC:UPPC To set /inquiry about the UPPER current for DCW test.

--Syntax:

Command message: FUNC:SOUR:STEP <sn>:DC:UPPC <current>

Query message: FUNC:SOUR:STEP <sn>:DC:UPPC?

--Data<current>:

Data format: float

Data range: 0.0001~25.000mA (voltage>=1500V)

0.0001~20.000mA (voltage<1500V)

Data accuracy: 0.0001mA

Data unit: mA

--Example:

Set the upper current for DCW test in STEP1 to 1mA
Command message: FUNC:SOUR:STEP 1:DC:UPPC 1
Query message: FUNC:SOUR:STEP 1:DC:UPPC?
Return value: 1.000

FUNC:SOURce:STEP:DC:LOWC To set /inquiry about the LOWER current for DCW test.

--Syntax:

Command message: FUNC:SOUR:STEP <sn>:DC:LOWC<current>
Query message: FUNC:SOUR:STEP <sn>:DC:LOWC?

--Data<current>:

Data format: float
Data range: 0~upper current (0 is OFF)
Data accuracy: 0.0001mA
Data unit: mA

--Example:

Set the lower current for DCW test in STEP1 to 1mA
Command message: FUNC:SOUR:STEP 1:DC:LOWC 1
Query message: FUNC:SOUR:STEP 1:DC:LOWC?
Return value: 1.000

FUNC:SOURce:STEP:DC:TTIM To set /inquiry about the TEST time for DCW test.

--Syntax:

Command message: FUNC:SOUR:STEP <sn>:DC:TTIM<time>
Query message: FUNC:SOUR:STEP <sn>:DC:TTIM?--Data<time>:

--Data format: float

Data range: 0, 0.3~999.0s (0 is OFF)

Data accuracy: 0.1s

Data unit: s

--Example:

Set the test time for DCW test in STEP1 to 1s
Command message: FUNC:SOUR:STEP 1:DC:TTIM 1
Query message: FUNC:SOUR:STEP 1:DC:TTIM?
Return value: 1.0

FUNC:SOURce:STEP:DC:RTIM To set /inquiry about the RISE time for DCW test.

--Syntax:

Command message: FUNC:SOUR:STEP <sn>:DC:RTIM<time >
Query message: FUNC:SOUR:STEP <sn>:DC:RTIM?

--Data<time>:

Data format: float
Data range: 0~999.0s (0 is OFF)
Data accuracy: 0.1s
Data unit: s

--Example:

Set the rise time for DCW test in STEP1 to 1s
Command message: FUNC:SOUR:STEP 1:DC:RTIM 1
Query message: FUNC:SOUR:STEP 1:DC:RTIM?
Return value: 1.0

FUNC:SOURce:STEP:DC:FTIM To set /inquiry about the FALL time for DCW test.

--Syntax:

Command message: FUNC:SOUR:STEP <sn>:DC:FTIM<time>
Query message: FUNC:SOUR:STEP <sn>:DC:FTIM?

--Data<time>:

Data format: float
Data range: 0~999.0s (0 is OFF)
Data accuracy: 0.1s
Data unit: s

--Example:

Set the fall time for DCW test in STEP1 to 1s
Command message: FUNC:SOUR:STEP 1:DC:FTIM 1
Query message: FUNC:SOUR:STEP 1:DC:FTIM?
Return value: 1.0

FUNC:SOURce:STEP:DC:WTIM To set /inquiry about the wait time for DCW test.

--Syntax:

Command message:
FUNC:SOUR:STEP <sn>:DC:WTIM<time>
Query message:
FUNC:SOUR:STEP <sn>:DC:WTIM?

--Data<time>:

Data format: float
Data range: 0~999.0s (0 is OFF)
Data accuracy: 0.1s
Data unit: s

--Example:

Set the wait time for DCW test in STEP1 as 1s.
Command message: FUNC:SOUR:STEP 1:DC:WTIM 1
Query message: FUNC:SOUR:STEP 1:DC:WTIM?
Return message: 1.0

FUNC:SOURce:STEP:DC:ARC To set /inquiry about the ARC upper current for DCW test.

--Syntax:

Command message: FUNC:SOUR:STEP <sn>:DC:ARC<current >
Query message: FUNC:SOUR:STEP <sn>:DC:ARC?

--Data<current>:

Data format: float

Data range: 0, 1.0~10.0mA (0 is OFF)

Data accuracy: 0.1mA

Data unit: mA

--Example:

Set the ARC upper current for DCW test in STEP1 to 1mA

Command message: FUNC:SOUR:STEP 1:DC:ARC 1

Query message: FUNC:SOUR:STEP 1:DC:ARC?

Return value: 1.0

FUNC:SOURce:STEP:DC:RAMPARC To set /inquiry about the RAMP ARC for DCW test.

--Syntax:

Command message:

FUNC:SOUR:STEP <sn>;DC:RAMPARC<current>

Query message:

FUNC:SOUR:STEP <sn>;DC:RAMPARC?

--Data<voltage>:

Data format: float

Data range: 0, 1.0~10.0mA (0 is OFF)

Data accuracy: 0.1mA

Data unit: mA

--Example:

Set the RAMP arc for DCW test in STEP1 to 1mA.

Command message: FUNC:SOUR:STEP 1:DC:RAMPARC 1

Query message: FUNC:SOUR:STEP 1:DC:RAMPARC?

Return message: 1.0

FUNC:SOURce:STEP:DC:RAMPARC To set /inquiry about the RAMP state for DCW test.

--Syntax:

Command message:

FUNC:SOUR:STEP <sn>;DC:RAMP<ON/OFF>or<1/0>

Query message:

FUNC:SOUR:STEP <sn>;DC:RAMP?

--Data<voltage>:

Data format: character

Data range: OFF(0), ON(1)

--Example:

Set the RAMP state for DCW test in STEP1 to ON.

Command message: FUNC:SOUR:STEP 1:DC:RAMP ON

Query message: FUNC:SOUR:STEP 1:DC:RAMP?

Return message: 1

5.2.3.5 Commands for IR Setup Function

FUNC:SOURce:STEP:IR:VOLT To set /inquiry about the voltage for IR test.

--Syntax:

Command message: FUNC:SOUR:STEP <sn>:IR:VOLT<voltage >

Query message: FUNC:SOUR:STEP <sn>:IR:VOLT?

--Data<voltage>:

Data format: float

Data range: 50~1000

Data accuracy: 1

Data unit: V

--Example:

Set the voltage for IR test in STEP1 to 1000V.

Command message: FUNC:SOUR:STEP 1:IR:VOLT 1000

Query message: FUNC:SOUR:STEP 1:IR:VOLT?

Return value: 1000

FUNC:SOURce:STEP:IR:UPPC To set /inquiry about the UPPER resistance for IR test.

--Syntax:

Command message FUNC:SOUR:STEP<sn>:IR:UPPR <resistance >

Query message: FUNC:SOUR:STEP <sn>:IR:UPPR?

--Data<resistance>:

Data format: float

Data range: 0, lower limit~50.0GΩ (0 is OFF)

Data accuracy: 1.0 MΩ

Data unit: MΩ

--Example:

Set the upper resistance for IR test in STEP1 to 1 MΩ.

Command message: FUNC:SOUR:STEP 1:IR:UPPR 1

Query message: FUNC:SOUR:STEP 1:IR:UPPR?

Return value: 1

FUNC:SOURce:STEP:IR:LOWR To set /inquiry about the LOWER resistance for IR test.

--Syntax:

Command message: FUNC:SOUR:STEP <sn>:IR:LOWR<resistance >

Query message: FUNC:SOUR:STEP <sn>:IR:LOWR?

--Data<resistance>:

Data format: float

Data range: 0.1MΩ~50.0GΩ

Data accuracy: 0.1 MΩ

Data unit: MΩ

--Example:

Set the lower resistance for IR test in STEP1to 1 MΩ.

Command message: FUNC:SOUR:STEP 1:IR:LOWR 1

Query message: FUNC:SOUR:STEP 1:IR:LOWR?

Return value: 1

FUNC:SOURce:STEP:IR:TTIM To set /inquiry about the TEST time for IR test.

--Syntax:

Command message: FUNC:SOUR:STEP <sn>:IR:TTIM<time>

Query message: FUNC:SOUR:STEP <sn>:IR:TTIM?

--Data<time>:

Data format: float

Data range: 0, 0.3~999.0s (0 is OFF)

Data accuracy: 0.1s

Data unit: s

--Example:

Set the test time for IR test in STEP1 to 1s.

Command message: FUNC:SOUR:STEP 1:IR:TTIM 1

Query message: FUNC:SOUR:STEP 1:IR:TTIM?

Return value: 1.0

FUNC:SOURce:STEP:IR:RTIM To set /inquiry about the RISE time for IR test.

--Syntax:

Command message: FUNC:SOUR:STEP <sn>:IR:RTIM<time>

Query message: FUNC:SOUR:STEP <sn>:IR:RTIM?

--Data<time>:

Data format: float

Data range: 0~999.0s (0 is OFF)

Data accuracy: 0.1s

Data unit: s

--Example:

Set the rise time for IR test in STEP1 to 1s.

Command message: FUNC:SOUR:STEP 1:IR:RTIM 1

Query message: FUNC:SOUR:STEP 1:IR:RTIM?

Return value: 1.0

FUNC:SOURce:STEP:IR:FTIM To set /inquiry about the FALL time for IR test.

--Syntax:

Command message: FUNC:SOUR:STEP <sn>:IR:FTIM<time>

Query message: FUNC:SOUR:STEP <sn>:IR:FTIM?

--Data<time>:

Data format: float

Data range: 0~999.0s (0 is OFF)

Data accuracy: 0.1s

Data unit: s

--Example:

Set the fall time for IR test in STEP1 to 1s.

Command message: FUNC:SOUR:STEP 1:IR:FTIM 1

Query message: 1.0

FUNC:SOURce:STEP:IR:RANG To set /inquiry about the range for IR test.

--Syntax:

Command message: FUNC:SOUR:STEP <sn>:IR:RANG<range>

Query message: FUNC:SOUR:STEP <sn>:IR:RANG?

--Data<range>:

Data format: integer

Data range: 0~6 (0 is AUTO, 1 is 10mA, 2 is 3mA, 3 is 300uA, 4 is 30uA, 5 is 3uA, 6 is 300nA)

--Example:

Set the range for IR test in STEP1 to 10mA.

Command message: FUNC:SOUR:STEP 1:IR:RANG 1

Query message: FUNC:SOUR:STEP 1:IR:RANG?

Return value: 1

5.2.3.6 Commands for PA Setup Function

FUNC:SOURce:STEP:PA:MESSAge To set /inquiry about the PA message.

--Syntax:

Command message: FUNC:SOUR:STEP <sn>:PA:MESSAge <message >

Query message: FUNC:SOUR:STEP <sn>:PA:MESSAge?

--Data<message>:

Data format: characters

--Example:

Set the PA message in STEP1 to HELLO!

Command message: FUNC:SOUR:STEP 1:PA:MESSAge HELLO!

Query message: FUNC:SOUR:STEP 1:PA:MESSAge?

Return value: HELLO!

FUNC:SOURce:STEP:PA:TIME To set /inquiry about the PA state continue time.

--Syntax:

Command message: FUNC:SOUR:STEP <sn>:PA:TIME<time>

Query message: FUNC:SOUR:STEP <sn>:PA:TIME?

--Data<time>:

Data format: float

Data range: 0, 0.3~999.0s (0 is continue)

Data accuracy: 0.1s

Data unit: s

--Example:

Set the PA continue time in STEP1 to 1s.

Command message: FUNC:SOUR:STEP 1: PA:TIME 1

Query message: FUNC:SOUR:STEP 1: PA:TIME?
Return value: 1.0

5.2.3.7 Commands for OSC Setup Function

FUNC:SOURce:STEP:OS:OPEN To set /inquiry about the OPEN rate for OS test.

--Syntax:

Command message:

FUNC:SOUR:STEP <sn>:OS:OPEN<rate>

Query message:

FUNC:SOUR:STEP <sn>:OS:OPEN?

--Data<rate>:

Data format: integer

Data range: 10~100

Data accuracy: 10

Data unit:

--Example:

Set the OPEN rate for OS test in STEP1 as 50%.

Command message: FUNC:SOUR:STEP 1:OS:OPEN 50

Query message: FUNC:SOUR:STEP 1:OS:OPEN?

Return value: 50

FUNC:SOURce:STEP:OS:SHOT To set /inquiry about the SHOT rate for OS test.

--Syntax:

Command message:

FUNC:SOUR:STEP <sn>:OS:SHOT<rate>

Query message:

FUNC:SOUR:STEP <sn>:OS:SHOT?

--Data< rate>:

Data format: integer

Data range: 0, 100~500 (0 is OFF)

Data accuracy: 10

Data unit:

--Example:

Set the SHOT rate for OS test in STEP1 as 100%.

Command message: FUNC:SOUR:STEP 1:OS:SHOT 100

Query message: FUNC:SOUR:STEP 1:OS:SHOT?

Return value: 100

FUNC:SOURce:STEP:OS:GET Outputs the capacitance.

--Syntax:

Command message:

FUNC:SOUR:STEP <sn>:OS: GET

The instrument will automatically sample the standard capacitance value after impedance transformation of the current.

FUNC:SOURce:STEP:OS:STAND To set /inquiry about the STANDARD capacitance for OS test.

--Syntax:

Command message: FUNC:SOUR:STEP <sn>:OS:STAND<standard capacitance >

Query message: FUNC:SOUR:STEP <sn>:OS:STAND?

--Data< standard capacitance >:

Data format: float

Data range: 0.001~40.000

Data accuracy: 0.001

Data unit: nF

--Example:

Set the standard capacitance for OS test in STEP1 to 10nF.

Command message: FUNC:SOUR:STEP 1:OS:STAND 10

Query message: FUNC:SOUR:STEP 1:OS:STAND?

Return value: 10.000

5.2.3.8 Commands for BREAKDOWN VOLT Function

FUNC:BREAKdown:STEPMODE To set /inquiry about the STEP MODE for voltage breakdown test.

--Syntax:

Command message: FUNC:BREAK:STEPMODE<step mode >

Query message: FUNC: :BREAK: STEPMODE?

--Data<step mode>:

Data format: integer

Data range: 0 ~ 1 (0: normal step; 1: voltage step)

--Example:

Set the step mode for breakdown test to 1 (voltage step).

Command message: FUNC:BREAK:STEPMODE 1

Query message: FUNC:BREAK: STEPMODE?

Return value: 1

FUNC:BREAKdown:STEP To set /inquiry about the STEP for voltage breakdown test.

--Syntax:

Command message: FUNC:BREAK:STEP<step>

Query message: FUNC: :BREAK: STEP?

--Data<step>:

Data format: integer

Data range: 2~999

Data accuracy: 1

--Example:

Set the step for breakdown test: 55
Command message: FUNC: :BREAK: STEP 55
Query message: FUNC: :BREAK: STEP?
Return value: 55

FUNC:BREAKdown:STEPVOLT To set /inquiry about the STEP VOLTAGE for voltage breakdown test .

--Syntax:

Command message: FUNC:BREAK:STEOVOLT<step voltage >
Query message: FUNC: :BREAK: STEOVOLT?

--Data<step voltage >:

Data format: float
Data range: 5~500
Data accuracy: 1
Data unit: V

--Example:

Set the step voltage for breakdown test to 50V.
Command message: FUNC:BREAK: STEOVOLT 50
Query message: FUNC:BREAK: STEOVOLT?
Return value: 50

FUNC:BREAKdown:MODE To set /inquiry about the MODE for voltage breakdown test.

--Syntax:

Command message: FUNC:BREAK:MODE<test mode>
Query message: FUNC: :BREAK: MODE?

--Data<mode>:

Data format: integer
Data range: 0 ~ 1 (0: AC; 1: DC)

--Example:

Set the mode for breakdown test: 1 (DC)
Command message: FUNC:BREAK:MODE 1
Query message: FUNC:BREAK: MODE?
Return value: 1

FUNC:BREAKdown:VOLTStart To set /inquiry about the VOLTAGE START for voltage breakdown test.

--Syntax:

Command message: FUNC:BREAK:VOLTS<voltage >
Query message: FUNC: :BREAK:VOLTS?

--Data<voltage>:

Data format: float
Data range: 50~5000
Data accuracy: 1

Data unit: V

--Example:

Set the starting voltage for breakdown test to 1000V.
Command message: FUNC:BREAK:VOLTS 1000
Query message: FUNC:BREAK:VOLTS?
Return value: 1000

FUNC: BREAKdown:VOLTEnd To set /inquiry about the VOLTAGE END for voltage breakdown test.

--Syntax:

Command message: FUNC:BREAK:VOLTE<voltage>
Query message: FUNC: :BREAK:VOLTE?

--Data<voltage>:

Data format: float
Data range: 50~5000
Data accuracy: 1
Data unit: V

--Example:

Set the ending voltage for breakdown test to 5000V.
Command message: FUNC:BREAK:VOLTE 5000
Query message: FUNC:BREAK:VOLTE?
Return value: 5000

FUNC: BREAKdown:UPPC To set /inquiry about the HIGH CURRENT for voltage breakdown test.

--Syntax:

Command message: FUNC:BREAK:UPPC <current>
Query message: FUNC:BREAK:UPPC?

--Data<current>:

Data format: float
Data range: 0.0001~25mA (DC); 0.001~100mA (AC)
Data accuracy: 0.0001mA (DC); 0.001mA (AC)
Data unit: mA

--Example:

Set the upper current for breakdown test to 10mA.
Command message: FUNC:BREAK:UPPC 10
Query message: FUNC:BREAK:UPPC?
Return value: 10.000

FUNC: BREAKdown:LOWC To set /inquiry about the LOW CURRENT for voltage breakdown test.

--Syntax:

Command message: FUNC:BREAK:LOWC<current>
Query message: FUNC:BREAK:LOWC?

--Data<current>:

Data format: float

Data range: 0~upper current (0 is OFF)

Data accuracy: 0.0001mA (DC); 0.001mA (AC)

Data unit: mA

--Example:

Set the lower current for breakdown test to 1mA.

Command message: FUNC:BREAK:LOWC 1

Query message: FUNC:BREAK:LOWC?

Return value: 1.000

FUNC: BREAKdown:TTIM To set /inquiry about the TEST TIME for voltage breakdown test.

--Syntax:

Command message: FUNC:BREAK:TTIM<time>

Query message: FUNC:BREAK:TTIM?

--Data<time>:

Data format: float

Data range: 0, 0.3~999.0s (0 is OFF)

Data accuracy: 0.1s

Data unit: s

--Example:

Set the test time for breakdown test to 1s.

Command message: FUNC:BREAK:TTIM 1

Query message: FUNC:BREAK:TTIM?

Return value: 1.0

FUNC: BREAKdown:RTIM To set /inquiry about the RISE TIME for voltage breakdown test.

--Syntax:

Command message: FUNC:BREAK:RTIM<time>

Query message: FUNC:BREAK:RTIM?

--Data<time>:

Data format: float

Data range: 0~999.0s (0 is OFF)

Data accuracy: 0.1s

Data unit: s

--Example:

Set the rise time for breakdown test to 1s.

Command message: FUNC:BREAK:RTIM 1

Query message: FUNC:BREAK:RTIM?

Return value: 1.0

FUNC: BREAKdown:WTIM To set /inquiry about the WAIT TIME for voltage breakdown test.

--Syntax:
Command message:FUNC:BREAK:WTIM<time>
Query message: FUNC:BREAK:WTIM?

--Data<time>:
Data format: float
Data range: 0~999.0s (0 is OFF)
Data accuracy: 0.1s
Data unit: s

--Example:
Set the waiting time for breakdown test to 1s.
Command message: FUNC:BREAK:WTIM 1
Query message: FUNC:BREAK:WTIM?
Return value: 1.0

FUNC:BREAK:ARC To set /inquiry about the ARC high current for voltage breakdown test.

--Syntax:
Command message: FUNC:BREAK:ARC<current >
Query message: FUNC:BREAK:ARC?

--Data<current>:
Data format: float
Data range: 0, 1.0~10.0mA (DC), 1.0 ~ 20mA (AC) (0 is OFF)
Data accuracy: 0.1mA
Data unit: mA

--Example:
Set the arc upper current for breakdown test to 5mA.
Command message: FUNC:BREAK:ARC 5
Query message: FUNC:BREAK:ARC?
Return value: 5.0

FUNC:BREAKdown:CONTinue To set /inquiry about the CONTINUE ON OFF for voltage breakdown test.

--Syntax:
Command message: FUNC:BREAK:CONT<ON OFF>
Query message: FUNC: :BREAK: CONT?

--Data<ON OFF>:
Data format: integer
Data range: 0, 1 (0: OFF; 1: ON)

--Example:
Set the continue test on off for breakdown test to 1(ON).
Command message: FUNC:BREAK: CONT 1
Query message: FUNC:BREAK: CONT?
Return value: 1

FUNC:BREAKdown:SAVE To SAVE the setting for breakdown test.

--Example:

Save the setting for breakdown test
Command message: FUNC:BREAK: SAVE

5.2.4 SYSTEM Subsystem Commands

5.2.4.1 Commands for MEA Setup Function

SYSTEM:MEA:TRGMODE To set /inquiry about the TRIGGER MODE for test.

--Syntax:

Command message: SYSTEM:MEA:TRGMODE<mode>

Query message: SYSTEM:MEA:TRGMODE ?

--Data<mode>:

Data format: characters

Data range: 0~3 (0: manual, 1:external, 2:bus, 3:auto)

--Example:

Set the trigger mode to manual.

Command message: SYSTEM:MEA:TRGMODE 0

Query message: SYSTEM:MEA:TRGMODE ?

Return value: 0

SYSTEM:MEA:TRGDLY To set /inquiry about the TRIGGER DELAY for test.

--Syntax:

Command message: SYSTEM:MEA:TRGDLY<time>

Query message: SYSTEM:MEA:TRGDLY ?

--Data<time>:

Data format: float

Data range: 0.0~99.9s

Data accuracy: 0.1s

Data unit: s

--Example:

Set the trigger delay to 1.0s.

Command message: SYSTEM:MEA:TRGDLY 1.0

Query message: SYSTEM:MEA:TRGDLY ?

Return value: 1.0

SYSTEM:MEA:MEAMODE To set /inquiry about the MEASURE MODE for test.

--Syntax:

Command message: SYSTEM:MEA:MEAMODE<mode>

Query message: SYSTEM:MEA:MEAMODE ?

--Data<mode>:

Data format: characters

Data range: 0~2 (0:normal, 1:repeat, 2:cycle)

--Example:

Set the measurement mode to normal.

Command message: SYSTem:MEA:MEAMODE 0

Query message: SYSTem:MEA:MEAMODE ?

Return value: 0

SYSTem:MEA:RPTCNT To set /inquiry about the REPEAT COUNT for test.

--Syntax:

Command message: SYSTem:MEA:RPTCNT<count >

Query message: SYSTem:MEA:RPTCNT ?

-Data<count>:

Data format: integer

Data range: 0~999

Data accuracy: 1

--Example:

Set the repeat count to 2.

Command message: SYSTem:MEA:RPTCNT 2

Query message: SYSTem:MEA:RPTCNT ?

Return value: 2

SYSTem:MEA:RPTINT To set /inquiry about the REPEAT INTERVAL for test.

--Syntax:

Command message: SYSTem:MEA:RPTINT <time>

Query message: SYSTem:MEA:RPTINT ?

--Data<time>:

Data format: float

Data range: 0.0~99.9s

Data accuracy: 0.1s

Data unit: s

--Example:

Set the test interval to 1.0s.

Command message: SYSTem:MEA:RPTINT 1.0

Query message: SYSTem:MEA:RPTINT ?

Return value: 1.0

SYSTem:MEA:AFTERFAIL To set /inquiry about the AFTER FAIL status.

--Syntax:

Command message: SYSTem:MEA:AFTERFAIL<status >

Query message: SYSTem:MEA:AFTERFAIL ?

--Data<mode>:

Data format: characters

Data range: 0~2 (0:continue, 1:repeat, 2:stop)

--Example:

Set the after fail status to continue.

Command message: SYSTem:MEA:AFTERFAIL 0

Query message: SYSTem:MEA:AFTERFAIL ?

Return value: 0

SYSTem:MEA:PASSHOLD To set /inquiry about the beep response time for PASS HOLD.

--Syntax:

Command message: SYSTem:MEA:PASSHOLD <time>

Query message: SYSTem:MEA:PASSHOLD ?

--Data<time>:

Data format: float

Data rang: 0.2~99.9s

Data accuracy: 0.1s

Data unit: s

--Example:

Set the pass hold beep response time to 1.0s.

Command message: SYSTem:MEA:PASSHOLD 1.0

Query message: SYSTem:MEA:PASSHOLD ?

Return value: 1.0

SYSTem:MEA:STEPHOLD To set /inquiry about interval for STEP HOLD.

--Syntax:

Command message: SYSTem:MEA:STEPHOLD <time>

Query message: SYSTem:MEA:STEPHOLD ?

--Data<time>:

Data format: float

Data range: 0.1~99.9s, KEY

Data accuracy: 0.1s

Data unit: s

--Example:

Set the step hold interval to 1.0s.

Command message: SYSTem:MEA:STEPHOLD 1.0

Query message: SYSTem:MEA:STEPHOLD ?

Return value: 1.0

SYSTem:MEA:HARDAGC To set /inquiry about HARDWARE COMPENSATION status.

--Syntax:

Command message: SYSTem:MEA:HARDAGC <ON/OFF>or<1/0>

Query message: SYSTem:MEA:HARDAGC?

--Data<ON/OFF>:

Data format: characters

Data range: OFF(0), ON (1)

--Example:

Set the hardware compensation to ON.

Command message: SYSTem:MEA:HARDAGC ON

Query message: SYSTem:MEA:HARDAGC?
Return value: ON

SYSTem:MEA:SOFTAGC To set /inquiry about SOFTWARE COMPENSATION status.

--Syntax:

Command message: SYSTem:MEA:SOFTAGC <ON/OFF>or<1/0>

Query message: SYSTem:MEA:SOFTAGC?

--Data<ON/OFF>:

Data format: characters

Data range: OFF (0), ON (1)

--Example:

Set the software compensation to ON.

Command message: SYSTem:MEA:SOFTAGC ON

Query message: SYSTem:MEA:SOFTAGC?

Return value: ON

SYSTem:MEA:AUTORANGE To set /inquiry about AUTO RANGE status.

-Syntax:

Command message: SYSTem:MEA:AUTORANGE <ON/OFF>or<1/0>

Query message: SYSTem:MEA:AUTORANGE?

--Data<ON/OFF>:

Data format: characters

Data range: OFF (0), ON (1)

--Example:

Set the auto rang to ON.

Command message: SYSTem:MEA:AUTORANGE 1

Query message: SYSTem:MEA:AUTORANGE?

Return value: 1

SYSTem:MEA:GFI To set /inquiry about the state for GFI.

--Syntax:

Command message: SYSTem:MEA:GFI <ON/OFF/FLOAT>or<1/0/2>

Query message: SYSTem:MEA:GFI?

--Data<ON/OFF/FLOAT>:

Data format: characters

Data range: OFF (0), ON (1), FLOAT (2)

--Example:

Set GFI to 1.

Command message: SYSTem:MEA:GFI 1

Query message: SYSTem:MEA:GFI?

Return value: 1

5.2.4.2 Commands for ENV Setup Function

SYSTEM:ENV:KEYVOL To set /inquiry about the state for KEY VOLUME.

--Syntax:

Command message: SYSTEM:ENV:KEYVOL <ON/OFF>or<1/0>

Query message: SYSTEM:ENV:KEYVOL?

--Data<ON/OFF>:

Dataformat: characters

Data range: OFF (0), ON (1)

--Example:

Set the key sound volume state to ON.

Command message: SYSTEM:ENV:KEYVOL 1

Query message: SYSTEM:ENV:KEYVOL?

Return value: 1

SYSTEM:ENV:BEEPVOL To set /inquiry about the state for BEEP VOLUME.

--Syntax:

Command message: SYSTEM:ENV:BEEPVOL <volume>

Query message: SYSTEM:ENV:BEEPVOL?

--Data<volume>:

Data format: characters

Data range: 0~3 (0:OFF1:LOW, 2:MED, 3:HIGH)

--Example:

Set the beeper sound volume to HIGH.

Command message: SYSTEM:ENV:BEEPVOL 3

Query message: SYSTEM:ENV:BEEPVOL?

Return value: 3

SYSTEM:ENV:PASSVOL To set /inquiry about the state for PASS VOLUME.

--Syntax:

Command message: SYSTEM:ENV:PASSVOL <ON/OFF>or<1/0>

Query message: SYSTEM:ENV:PASSVOL?

--Data<ON/OFF>:

Dataformat: characters

Data range: OFF (0), ON (1)

--Example:

Set the pass volume to ON.

Command message: SYSTEM:ENV:PASSVOL 1

Query message: SYSTEM:ENV:PASSVOL?

Return value: 1

SYSTEM:ENV:FAILVOL To set /inquiry about the state for FAIL VOLUME.

--Syntax:

Command message: SYSTem:ENV:FAILVOL <ON/OFF>or<1/0>

Query messa: SYSTem:ENV:FAILVOL?

--Data<ON/OFF>:

Data format: characters

Data range: OFF (0), ON (1)

--Example:

Set fail volume to ON.

Command message: SYSTem:ENV:FAILVOL 1

Query message: SYSTem:ENV:FAILVOL?

Return value: 1

SYSTem:ENV:LANGUage To set /inquiry about the state for LANGUAGE.

--Syntax:

Command message: SYSTem:ENV:LANGUage <1/0>

Query message: SYSTem:ENV:LANGUage?

--Data<1/0>:

Dataformat: characters

Data range: 0 (Chinese), 1 (English)

--Example:

Set the language state to Chinese.

Command message: SYSTem:ENV:LANGUage 0

Query message: SYSTem:ENV:LANGUage?

Return value: 0

SYSTem:ENV:KEYLOCK To set /inquiry about the state for KEY LOCK.

--Syntax:

Command message: SYSTem:ENV:KEYLOCK <state>

Query message: SYSTem:ENV:KEYLOCK?

--Data<state>:

Data format: characters

Data range: 0/1(0: manual, 1: bus)

--Example:

Set key lock state to manual.

Command message: SYSTem:ENV:KEYLOCK 0

Query message: SYSTem:ENV:KEYLOCK?

Return value: 0

SYSTem:ENV:KEYLOCK:UNLOCK To set /inquiry about the state for UNLOCK.

--Example:

Release the button lock status under the bus unlock setting condition

Command message: SYSTem:ENV:KEYLOCK:UNLOCK

SYSTem:ENV:BRight To set /inquiry about the state for backlight BRIGHT.

--Syntax:

Command message: SYSTem:ENV:BRiGht <brightness>

Query message: SYSTem:ENV:BRiGht?

--Data<brightness>:

Data format: integer

Data range: 1~10

--Example:

Set the backlight brightness to 5.

Command message: SYSTem:ENV:BRiGht 5

Query message: SYSTem:ENV:BRiGht?

Return value: 5

SYSTem:ENV:DATE To set /inquiry about the system DATE.

--Syntax:

Command message: SYSTem:ENV:DATE <year month date>

Query message: SYSTem:ENV:DATE?

--Data<year month date>:

Data format: characters

Data range: 2017 1 1~9999 12 31

--Example:

Set the system date to 2017 11 17.

Command message: SYSTem:ENV:DATE 2017 11 17

Query message: SYSTem:ENV:DATE?

Return value: 2017,11,17

SYSTem:ENV:TIME To set /inquiry about the system TIME.

--Syntax:

Command message: SYSTem:ENV:TIME <hour minute second>

Query message: SYSTem:ENV:TIME?

--Data< hour minute second >:

Data format: characters

Data range: 0 0 0 ~ 23 59 59

--Example:

Set the system time to 16 23 23.

Command message: SYSTem:ENV:TIME 16 23 23

Query message: SYSTem:ENV:TIME?

Return value: 16, 23, 23

5.2.5 MMEM Subsystem Commands

MMEM:SAVE SAVE the current settings to a file stored internally as <filename>.

--Syntax:

Command message: MMEM:SAVE <file name>

--Data<file name>:

Data format: characters

Return value: OK

--Example:

Set save file name: SME1190TEST
Command message: MMEM:SAVE SME1190TEST

MMEM:LOAD LOAD the internal file specified by the file name to the current.

--Syntax:

Command message: MMEM:LOAD <file>

--Data<file>:

Data format: characters

--Example:

Set the load file name to SME1190TEST.
Command message: MMEM:LOAD SME1190TEST
Return value: load pass return OK, load fail return ERROR

MMEM:DEL DELETE the internal file specified by the file name.

--Syntax:

Command message: MMEM:DEL <file name>

--Data<file name>:

Data format: characters

--Example:

Set delete file name to SME1190TEST.
Command message: MMEM:DEL SME1190TEST

Return value: delete pass return OK, delete fail return ERROR

MMEM:COPY COPY the internal file specified by the file name to external storage.

--Syntax:

Command message: MMEM:COPY <file name>

--Data<file name>:

Data format: characters

--Example:

Set copy file name to SME1190TEST.
Command message: MMEM:COPY SME1190TEST
Return value: copy pass return OK, copy fail return ERROR

5.2.6 USB Subsystem Commands

USB:SAVE SAVE current settings to external storage file name.

--Syntax:

Command message: USB:SAVE <file name>

--Data<file name>:

Data format: characters

Return value: OK

--Example:

Set the save file name to SME1190TEST.
Command message: USB:SAVE SME1190TEST

USB:LOAD LOAD current settings to external storage file name.

--Syntax:

Command message: USB:LOAD <file name>

--Data<file name>:

Data format: characters

--Example:

Set the load file name to SME1190TEST.

Command message: USB:LOAD SME1190TEST

Return value: load pas return OK, load fail return ERROR

USB:DEL DELETE current settings to external storage file name.

--Syntax:

Command message: USB:DEL <file name>

--Data<file name>:

Data format: characters

--Example:

Set the delete file name to SME1190TEST.

Command message: USB:DEL SME1190TEST

Return value: delete pass return OK, delete fail return ERROR

USB:COPY COPY current settings to external storage file name

--Syntax:

Command message: USB:COPY <file name>

--Data<file name>:

Data format: characters

--Example:

Set the delete file name to SME1190TEST.

Command message: USB:COPY SME1190TEST

Return value: copy pass return OK, copy fail return ERROR

5.2.7 FETCh Subsystem Commands

The FETCh subsystem command is used to obtain the measurement results of the tester and is issued after the test is started until the end of the test or interrupted by other commands.

FETCh To get the measurement result.

--Syntax:

Command message:

FETCh: AUTO <ON/OFF> or <1/0>

Query message:

FETCh:AUTO?

--Data<ON/OFF> or <1/0>

Data format: character

Data range: 0 (OFF), 1 (ON)

--Example:

Set auto returned test result to ON.

Command message: FETCh:AUTO ON

Query message: FETCh:AUTO?

Return value: ON

FETCh? Output the test result.

Command Syntax: FETCh? After the tester receives this command, the tester will automatically issue the test results for all steps until the end of the test.

Return Format: test steps: test mode, actual test voltage (kV) ,actual test current (A), test result;

Example: STEP 1:AC,1.000,1.000e-3,PASS; STEP 2:DC,1.500,0.100e-3,PASS;

Test Steps: 1, test mode: AC, actual test voltage 1kV, actual test current 1mA, test result:PASS;

Test Steps: 2, test mode: DC, actual test voltage 1.5kV, actual test current 0.1mA, test result:PASS;

Note: The tester will automatically return each test result by default (per step test result).

5.2.8 Other Commands

***IDN** Inquiry about the model and version information of the instrument.

Return message: <manufacturer>,<model>,<firmware><NL^END>

Where,

<manufacturer> Gets the manufacturer name (Tonghui)

<model> Gets the machine model (such as SME1190/9110A)

<firmware> Gets the version number of firmware (such as Version1.0.5)

For example: *IDN?

FUNC:START Start Test

*STOP Stop Test

Chapter 6 Technical Parameter

Model		SME1190	SME1190A
Withstanding Voltage Test			
Output Voltage	AC	Range	0.05-5.0kV
		Waveform	50/60Hz $\pm 0.1\%$ Sinusoidal Wave
		Output Power	500VA (5.0kV 100mA)
	DC	Range	0.05-6.0kV
		Output Power	150VA (6.0kV 25mA)
Load Regulation		$\pm (1\% \text{ set value} + 0.2\% \text{ full scale})$ (rated power)	
Voltage Resolution		2V	
Voltage Accuracy		$\pm (1\% \text{ set value} + 0.1\% \text{ full scale})$	
Current Test Range	AC	Range	0.001mA-120mA (voltage \leq 4kV)0.001mA-100mA(voltage $>$ 4kV)
		Resolution	0.001mA
		Accuracy	$\pm (1\% \text{ reading} + 0.5\% \text{ full scale})$
	DC	Range	0.0001mA-25mA(voltage \geq 1.5kV) 0.0001mA-20mA(voltage $<$ 1.5kV)
		Resolution	0.1uA
		Accuracy	$\pm (1\% \text{ reading} + 0.5\% \text{ full scale})$
Maximum Short-Circuit Current		200mA (AC test only)	
Fast Discharge Function		Auto discharge after test ends (DCW)	
Insulation Resistance Test			
Output Voltage		DC:0.05-5.0kV	
Voltage Resolution		2V	
Voltage Accuracy		$\pm (1\% \text{ reading} + 0.1\% \text{ full scale})$	
Resistance Test Range		0.1M Ω – 50.0G Ω	
Resistance Test Accuracy	voltage \geq 1kV	1M Ω –1G Ω	$\pm(3\% \text{ reading} + 0.1\% \text{ full scale})$
		1G Ω –10G Ω	$\pm(7\% \text{ reading} + 2\% \text{ full scale})$
		10G Ω –50G Ω	$\pm(10\% \text{ reading} + 1\% \text{ full scale})$
	voltage500V-1kV	0.1M Ω –1G Ω	$\pm(3\% \text{ reading} + 0.1\% \text{ full scale})$
		1G Ω –10G Ω	$\pm(7\% \text{ reading} + 2\% \text{ full scale})$
		10G Ω –50G Ω	$\pm(10\% \text{ reading} + 1\% \text{ full scale})$
voltage $<$ 500V	0.1M Ω –1G Ω	$\pm(5\% \text{ reading} + 2\% \text{ full scale})$	
Fast Discharge Function		Auto discharge once the test ends	
ARC Detection			
Program Setting	AC	1.0mA-20.0mA	
	DC	1.0mA-10.0mA	

OSC Detection			
Sampling Standard Capacitance Range	0.001~40nF		
Open Circuit Judgement Range	10%~100%		
Short Circuit Judgement Range	100%~500%		
Time Setting			
Test Time	0.3~999s, 0 indicates continuous testing		
Rise Time	0.1~999s, 0 is OFF		
Fall Time	0.1~999s, 0 is OFF		
Wait Time	0.1~999s, 0 is OFF (on DC withstanding voltage)		
Safety Protection Function			
High voltage float output	Test Mode	ACW, DCW, IR	_____
	Leakage Current	<3.5mA ac/dc	_____
Electric Shock Protection	0.5mA ± 0.25mA can choose: ON or OFF		
Start Protection Interlock	Only when both ends are short circuited, high voltage delivery is allowed (refer to Figure3-2 INTER LOCK)		
Panel Operation Protection	Key Lock, Password		
Alarm Indication	Pass: short beep, green light; Fail: long beep, red light		
Storage and Interface			
Internal Memory	Can save up to 100 files, 50 steps to edit each file		
Standard Interface	RS232, USB DEVICE, USB HOST, LAN, HANDLER		
Optional Interface	GPIB		
Ambient Temperature and Humidity			
Parameter Comparison Temperature	18°C~28°C, humidity: 30%~70%RH		
Normal Working Temperature	0°C~45°C, humidity: 20%~90%RH		
Storage Ambient Temperature	-10°C~55°C, humidity:< 80%RH		
General Indicator			
Power	100V~240VAC, 47Hz~63Hz		
Current	Non-load:< 100W Rated power:1000W		
Dimension	430mm (W) x 132mm (H) x 500mm (D)		
Weight	21kg		

Chapter 7 Warranty

Scientific warrants all its Instruments to be free from defects in material and workmanship when used under normal operating conditions in accordance with the instructions given in the manual for a period of 12 (Twelve) months from date of purchase from Scientific or its authorized dealers. The service during the warranty period will be rendered on return to factory / service center basis.

1. Its obligation under this warranty is limited to repairing or replacing at its own discretion. This warranty shall not apply to any defect, failure or damage caused by accident, negligence, mis-application, alteration or attempt to repair, service or modify in any way.
2. This warranty does not include display, fuses, batteries or accessories. This warranty is only valid with the original purchaser who must have properly registered the product within 15 days from date of purchase. No other warranty is expressed or implied.
3. When it becomes necessary to return the instrument to our Factory facility, kindly pack it carefully in the original carton or equivalent and ship it duly insured, transportation charges prepaid.

Your Scientific instrument is a complex electronic device and deserves the best service available by technicians thoroughly familiar with its service and calibration procedures